

DYNAMICS ASSIGNMENT

Planar Kinematics of a Rigid Body (Translation and Rotation)

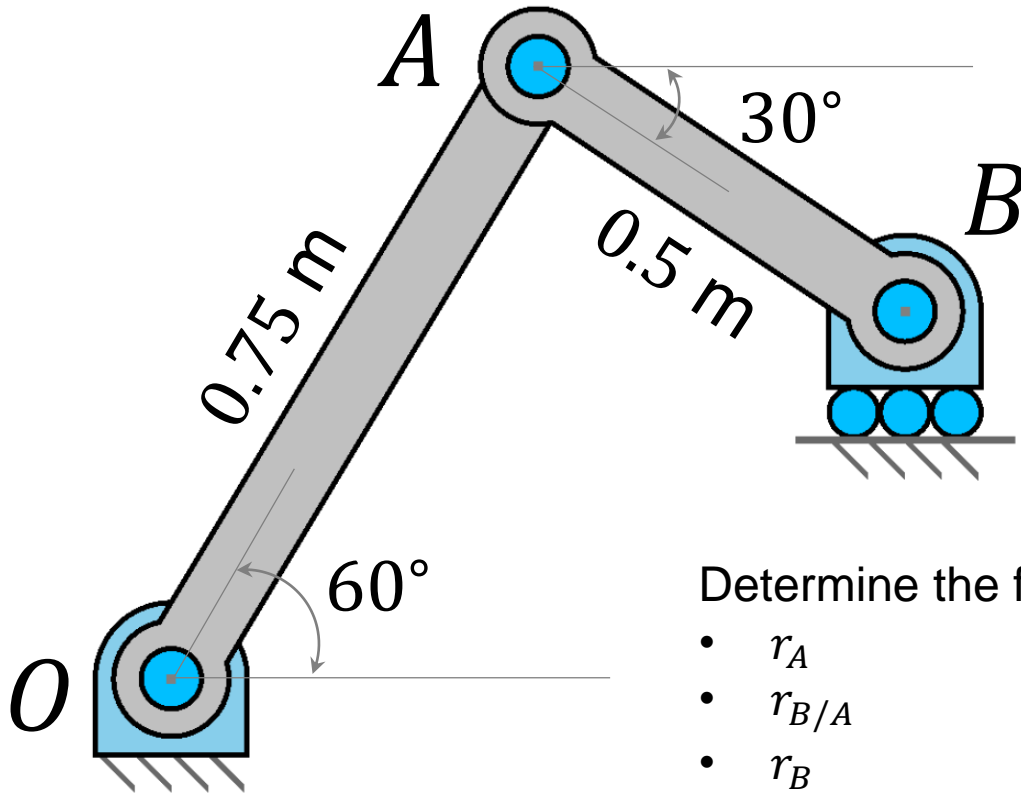
by:

Dr. Mohd Hasnun Arif HASSAN

Faculty of Manufacturing Engineering

mhasnun@ump.edu.my

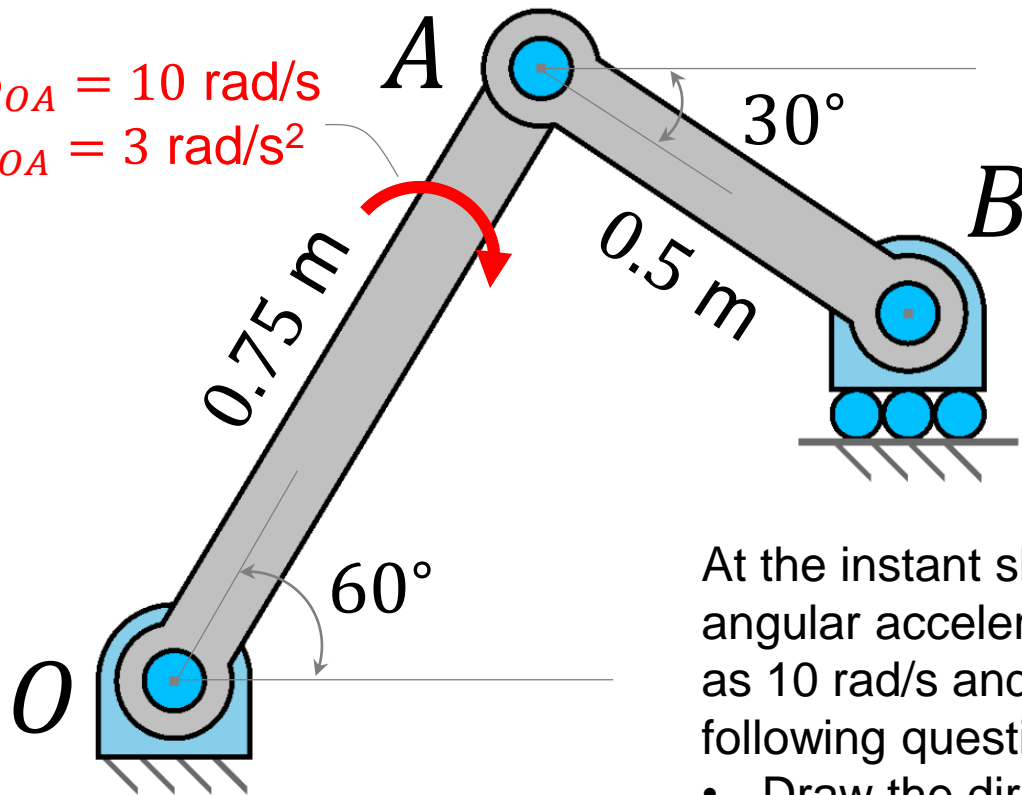
Question 1 – Position Vector



Determine the following position vector:

- r_A
- $r_{B/A}$
- r_B

Question 2 – Velocity and Acceleration



At the instant shown, the angular velocity, ω_{OA} and angular acceleration, α_{OA} of the arm OA are given as 10 rad/s and 3 rad/s², respectively. Answer the following questions:

- Draw the direction of the velocity of Point A.
- Calculate the velocity of Point A at this instant.
- Calculate the acceleration of Point A at this instant.