

**Universiti  
Malaysia  
PAHANG**  
Engineering • Technology • Creativity

**FACULTY OF ELECTRICAL & ELECTRONICS ENGINEERING  
FINAL EXAMINATION**

<b>COURSE</b>	:	<b>CIRCUIT ANALYSIS I/ ELECTRIC CIRCUITS I</b>
<b>COURSE CODE</b>	:	<b>BEE1133/BEE1113</b>
<b>LECTURERS</b>	:	<b>ROSYATI BINTI HAMID NOR RUL HASMA BINTI ABDULLAH MOHD RIDUWAN BIN GHAZALI</b>
<b>DATE</b>	:	<b>9 JANUARY 2013</b>
<b>DURATION</b>	:	<b>3 HOURS</b>
<b>SESSION/SEMESTER</b>	:	<b>SESSION 2012/2013 SEMESTER I</b>
<b>PROGRAMME CODE</b>	:	<b>BEE/BEC/BEP</b>

**INSTRUCTIONS TO CANDIDATES**

1. This question paper consists of **FIVE (5)** questions. Answer **ALL** the questions.
2. All answers to a new question should start on new page.
3. All the calculations and assumptions must be clearly stated.
4. Candidates are not allowed to bring any material other than those allowed by the invigilator into the examination room.

**EXAMINATION REQUIREMENTS**

1. **Appendix 1** : Table of Formula

---

**DO NOT TURN THIS PAGE UNTIL YOU ARE TOLD TO DO SO**

---

This examination paper consists of **SEVEN (7)** printed pages including front page

**QUESTION 1**

- a. Figure 1 shows an example of an electric circuit. By using circuit simplification method, find the value of  $v_x$  in the circuit.

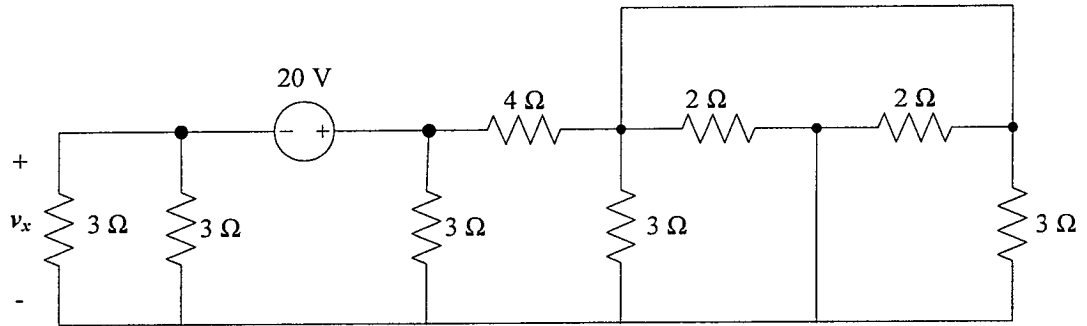


Figure 1

**[10 Marks]**  
**[CO1, PO1, C4]**

- b. For the circuit shown in Figure 2, use the circuit simplification techniques to determine;

- (i) the voltages,  $v_1$  and  $v_2$ , and
- (ii) the power provided by independent source.

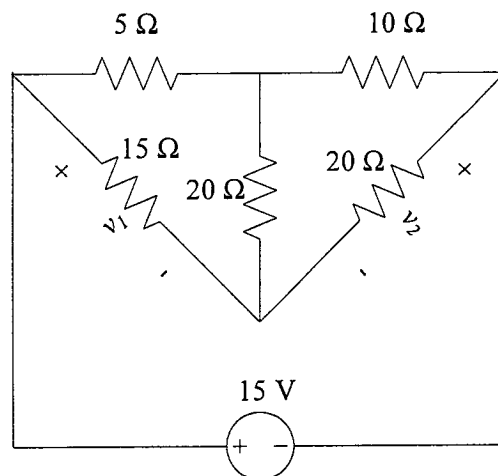


Figure 2

**[10 Marks]**  
**[CO1, PO1, C4]**

**QUESTION 2**

For the circuit shown in Figure 3, use Nodal Analysis to determine:

- a. the voltages  $V_1$ ,  $V_2$  and  $V_3$ ,
- b. the current,  $i_x$

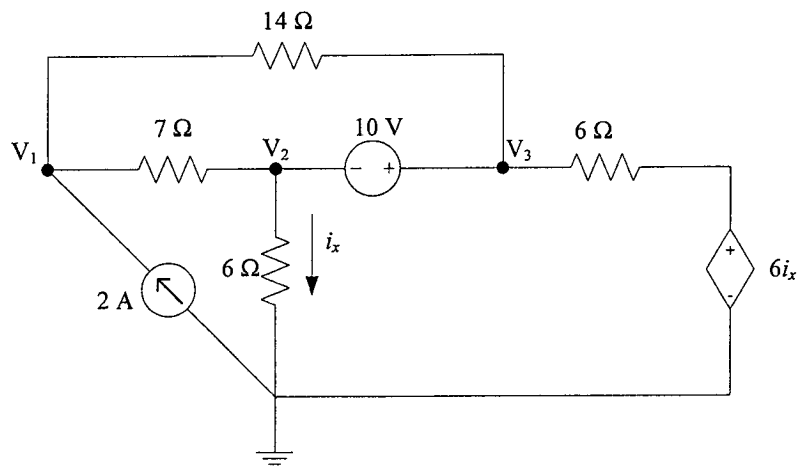


Figure 3

[15 Marks]  
[CO2, PO1, C4]

**QUESTION 3**

Determine the voltage  $V_o$  in Figure 4 by using Norton's theorem. Find the maximum power that can be delivered to  $5 \Omega$  resistor.

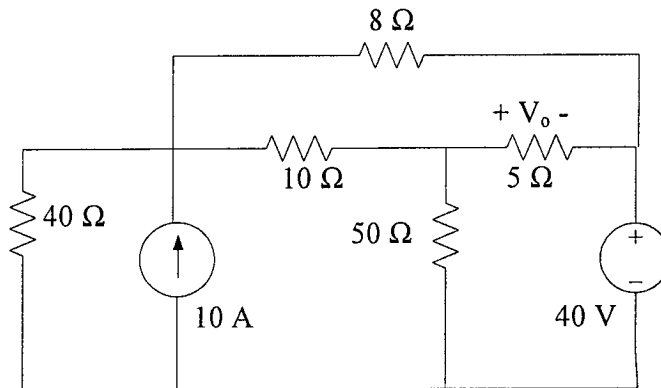


Figure 4

[20 Marks]  
[CO2, PO1, C4]

**QUESTION 4**

The switch in Figure 5 has been in position x for a long time. At  $t = 0$ , the switch moves instantaneously to position y.

- Find  $\alpha$  so that the time constant for  $t > 0$  is 40 ms.
- For the  $\alpha$  found in (a), find  $V_\Delta$ .

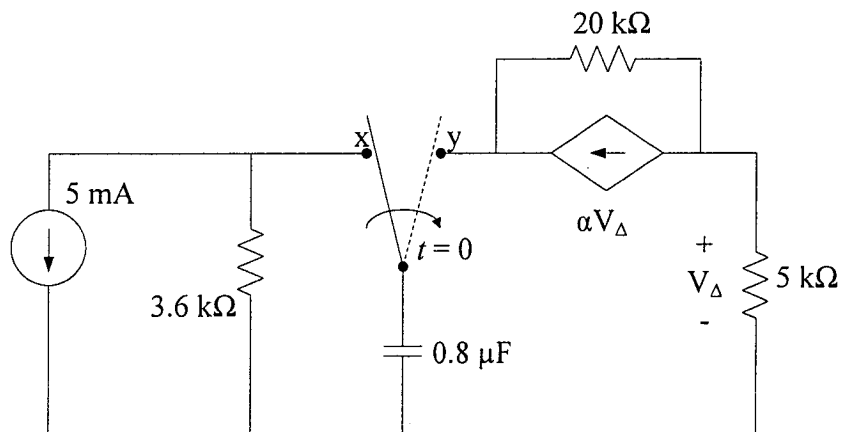


Figure 5

[15 Marks]  
[CO2, PO1, C4]

## QUESTION 5

a. Given

$$60 \cos(5t + 45^\circ) - 6 \frac{di}{dt} + 3 \int idt + 6i = 0 \quad (1)$$

- i. Using phasor approach, determine the current  $i(t)$  in circuit described by the equation (1).
- ii. If current obtained in (i) is applied to a 0.5 H inductor, calculate the voltage across that inductor.

[5 Marks]  
[CO3, PO2, C4]

- b. The circuit in Figure 6 shows a combination of resistor and inductor elements. Calculate the voltages across resistors  $5\Omega$  and  $60\Omega$  using nodal analysis if  $V_1 = 30 \cos(2t + 25^\circ)V$  and  $V_2 = 20 \cos(2t + 130^\circ)V$ .

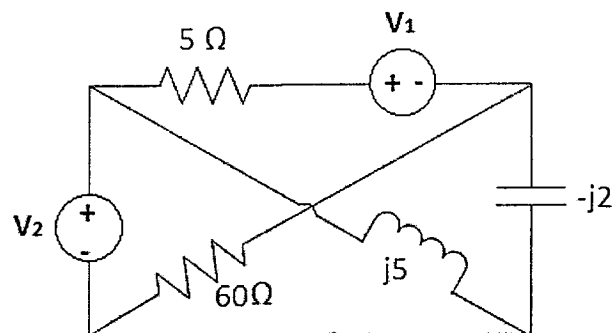


Figure 6

[12 Marks]  
[CO3, PO2, C4]

- c. Determine the voltages of  $V_A$  and  $V_B$  in Figure 7.

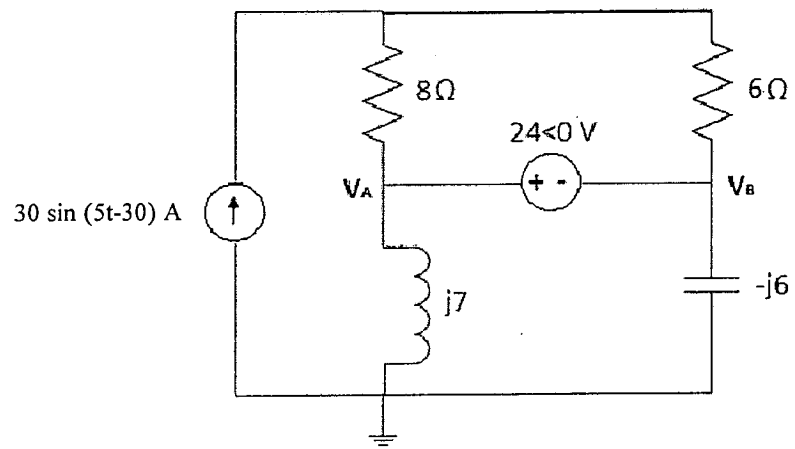


Figure 7

[13 Marks]  
[CO3, PO2, C5]

END OF QUESTION PAPER

## APPENDIX I - Table of Formula

<p>(1) Y-<math>\Delta</math> Transformation</p> $R_a = \frac{R_1 R_2 + R_2 R_3 + R_3 R_1}{R_1}$ $R_b = \frac{R_1 R_2 + R_2 R_3 + R_3 R_1}{R_2}$ $R_c = \frac{R_1 R_2 + R_2 R_3 + R_3 R_1}{R_3}$	<p>(2) <math>\Delta</math>-Y Transformation</p> $R_1 = \frac{R_b R_c}{R_a + R_b + R_c}$ $R_2 = \frac{R_c R_a}{R_a + R_b + R_c}$ $R_3 = \frac{R_a R_b}{R_a + R_b + R_c}$
<p>(3)</p> $V_c = \frac{1}{C} \int_0^t i dt + v(t_0)$ $i_L = \frac{1}{L} \int_0^t v dt + i(t_0)$	<p>(4)</p> $i_c = C \frac{dv}{dt};$ $V_L = L \frac{di}{dt}$
<p>(5)</p> $v(t) = v(\infty) + [v(0) - v(\infty)]e^{-t/\tau}$	<p>(6)</p> $i(t) = i(\infty) + [i(0) - i(\infty)]e^{-t/\tau}$