



**Faculty of Electrical & Electronics Engineering
Low Voltage Electrical Installation**

Name: _____

ID No. : _____

Section: _____

Date: ____/____/2017

**PROJECT 1
Formation of Metal Trunking**

Under the supervision of expert, construct your metal trunking exactly as Fig. 6 below by using suitable equipment and tools. **Red lines/areas are the parts that must be removed.** Please follow all safety precautions (e.g.: wearing hand gloves, safety shoes, etc.). Submit your work by;

- 1) Snapping **two** photos taken from two different sides (**front and rear**).
- 2) Measure all dimensions correctly and **display all measured values in the same photo.**
- 3) Compile your work together with this evaluation form and save it into **PDF** format.

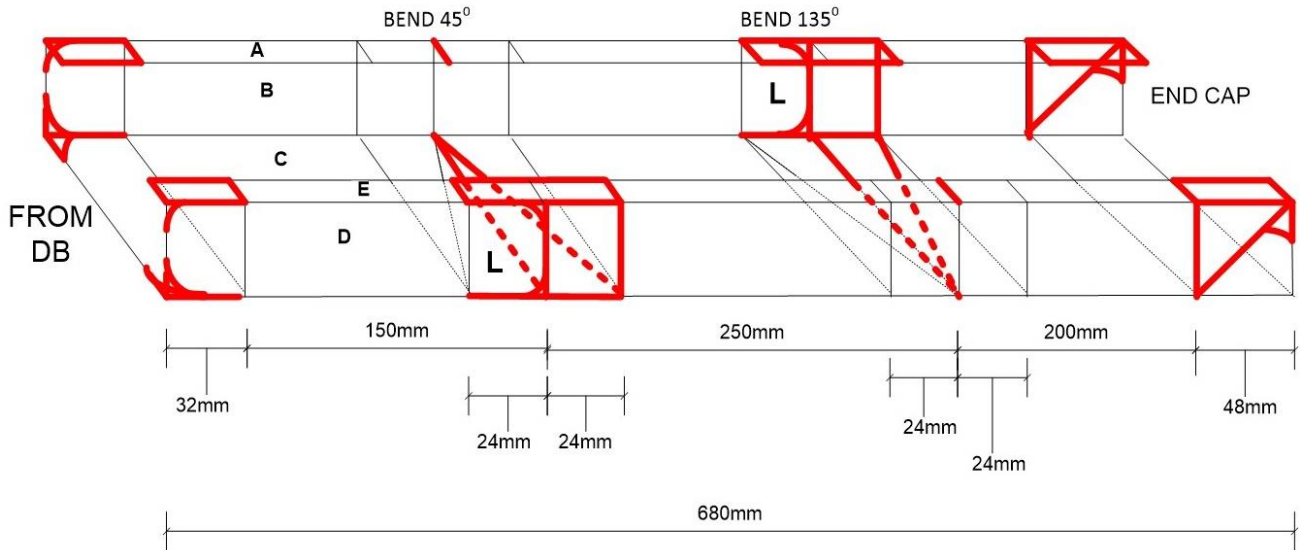


Fig. 6 Metal trunking diagram

Evaluation Form

