

# Hydraulics & Pneumatics

## Chapter 3: Pneumatics (Design of Multi-Actuators Pneumatic Circuit)

by

Dr. Mohd Fadzil Faisae  
Faculty of Mechanical Engineering  
[ffaisae@ump.edu.my](mailto:ffaisae@ump.edu.my)

# Lesson Outcome

- By the end of this lecture, student should be able to:
  - Design and analyze multiple-actuators pneumatic circuit for more than one actuators

# Content

- Control of Multiple Actuators in Pneumatic
- Connection in Multiple Connecting Lines

# Control of Multiple Actuator

- Define motions of all actuators
- Divide sequence into groups
- Determine limit switch status
- Identify number of connecting line  
( = number of groups)
- Identify number of reversing valve  
( = number of groups – 1)

# Control of Multiple Actuator

- Example
  - A pneumatic actuated drilling machine, contained of two DAC. When the workpiece is located at it position, cylinder A will clamp the workpiece. Then, the drilling process is started, where the spindle is controlled by cylinder B. After finish drilling, cylinder B will retract to the initial position, before the clamping cylinder retract.

# Control of Multiple Actuator

## 1. Define motion

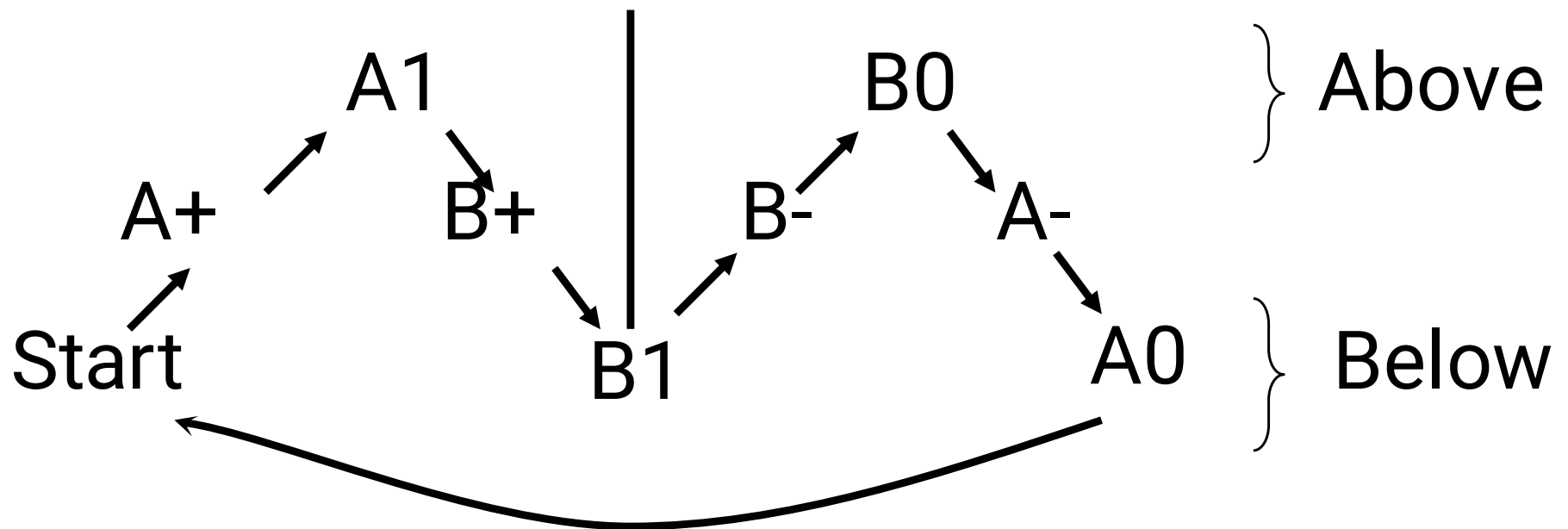
A+ B+ B- A-

## 2. Groups

A+	B+		B-	A-
	K		K2	
	1			

# Control of Multiple Actuator

## 3. Limit switch status



# Control of Multiple Actuator

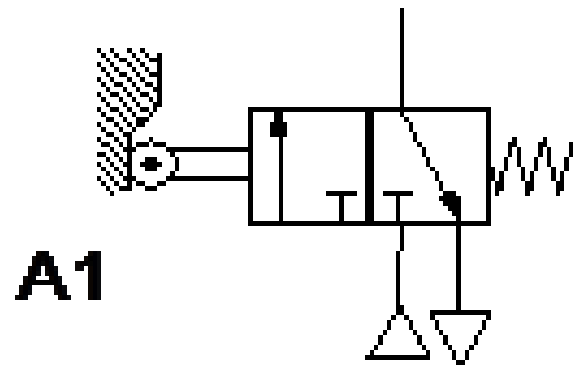
4. Number of connecting line  
= number of groups  
= 2

5. Number of reversing valve  
= number of groups - 1  
= 1

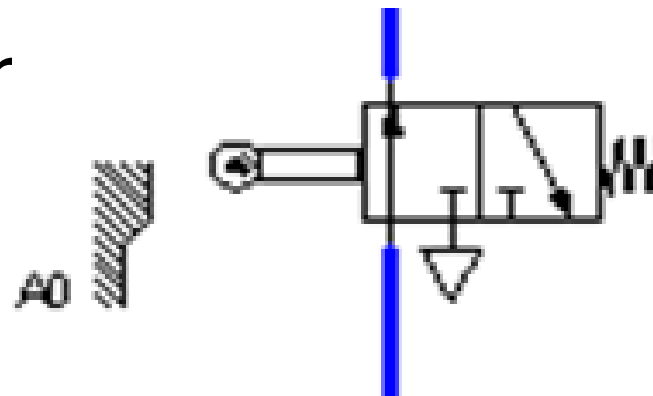


# Introduction to pneumatic sensor

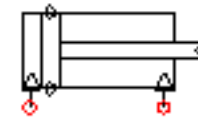
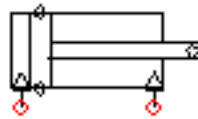
- Mechanical sensor, initial position



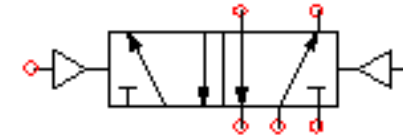
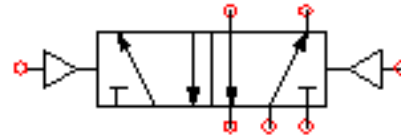
- Activated position



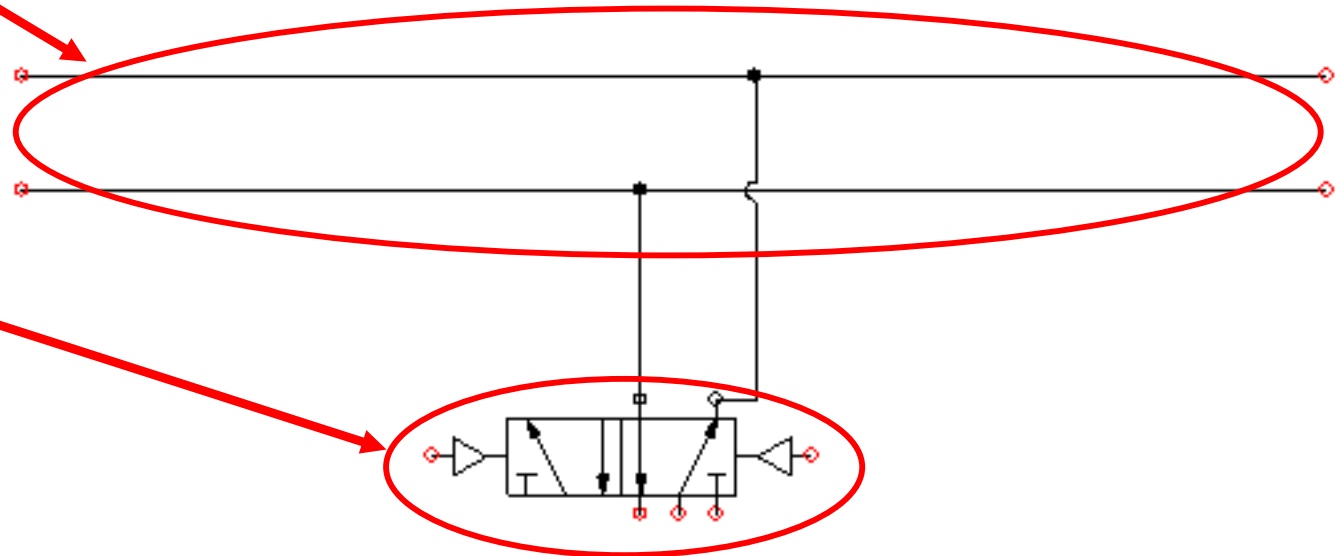
# Draw basic circuit



2  
connecting  
lines



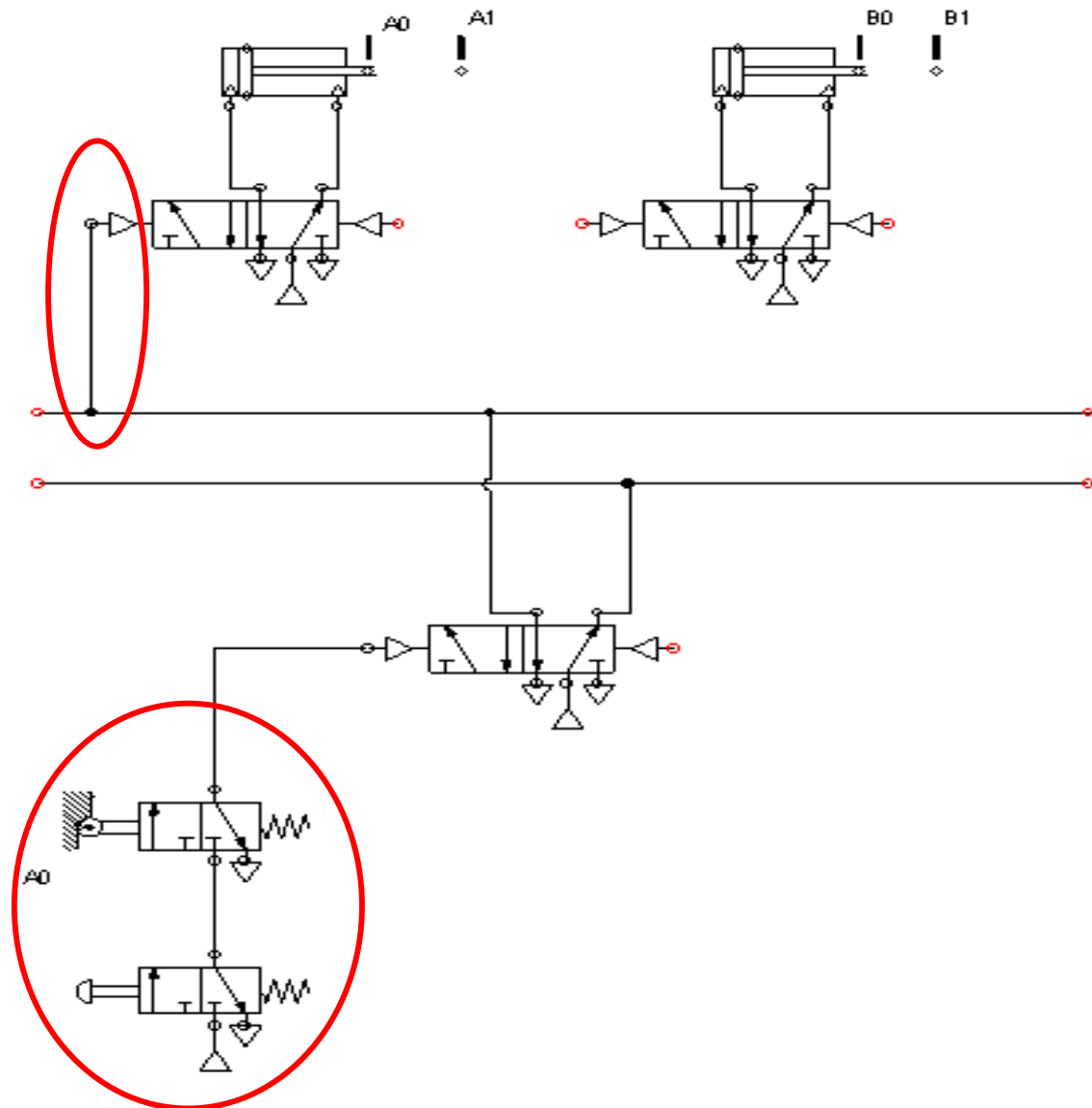
1  
reversing  
valve



# Control of Multiple Actuator

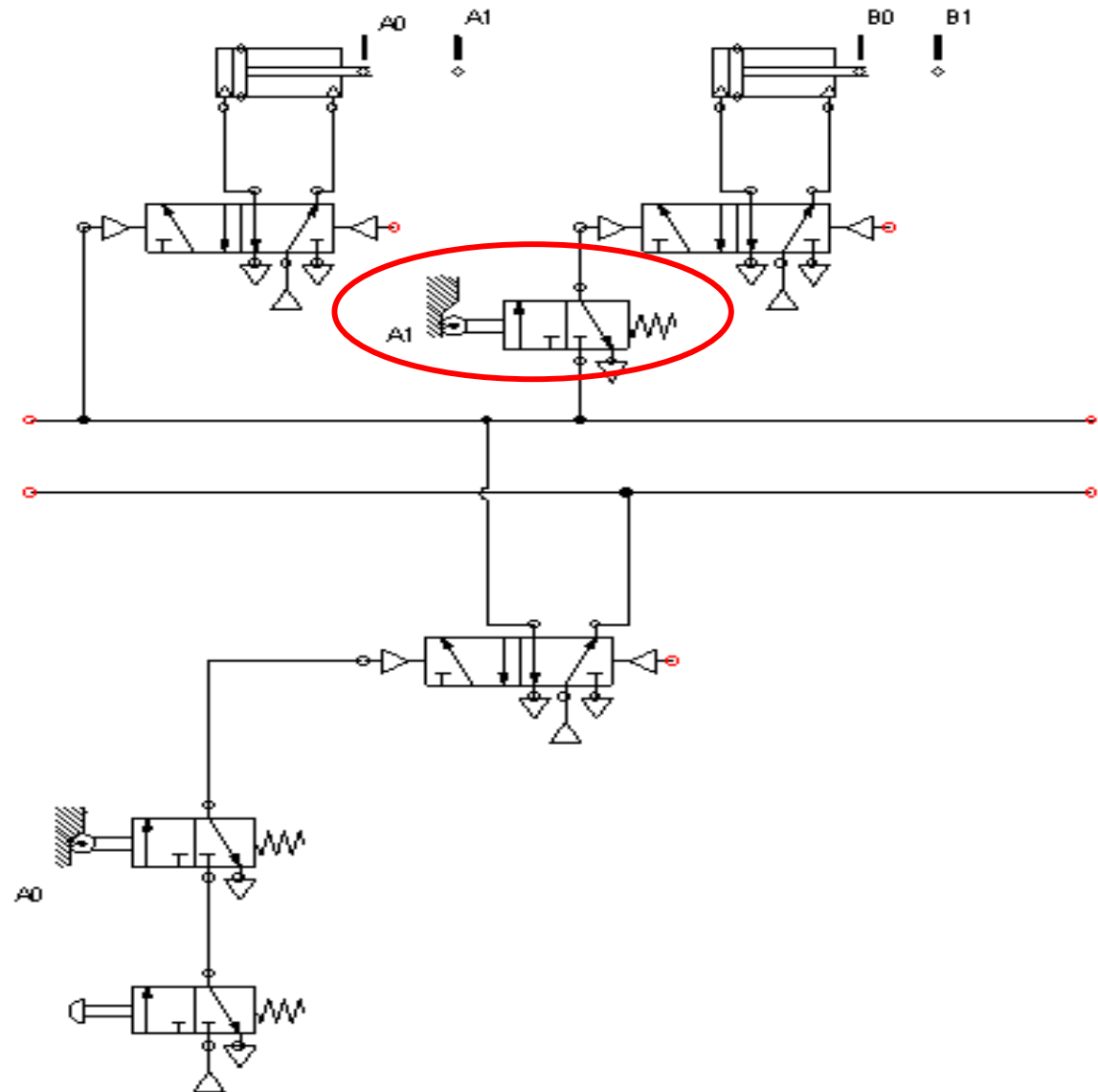
A+ →

Start  A0



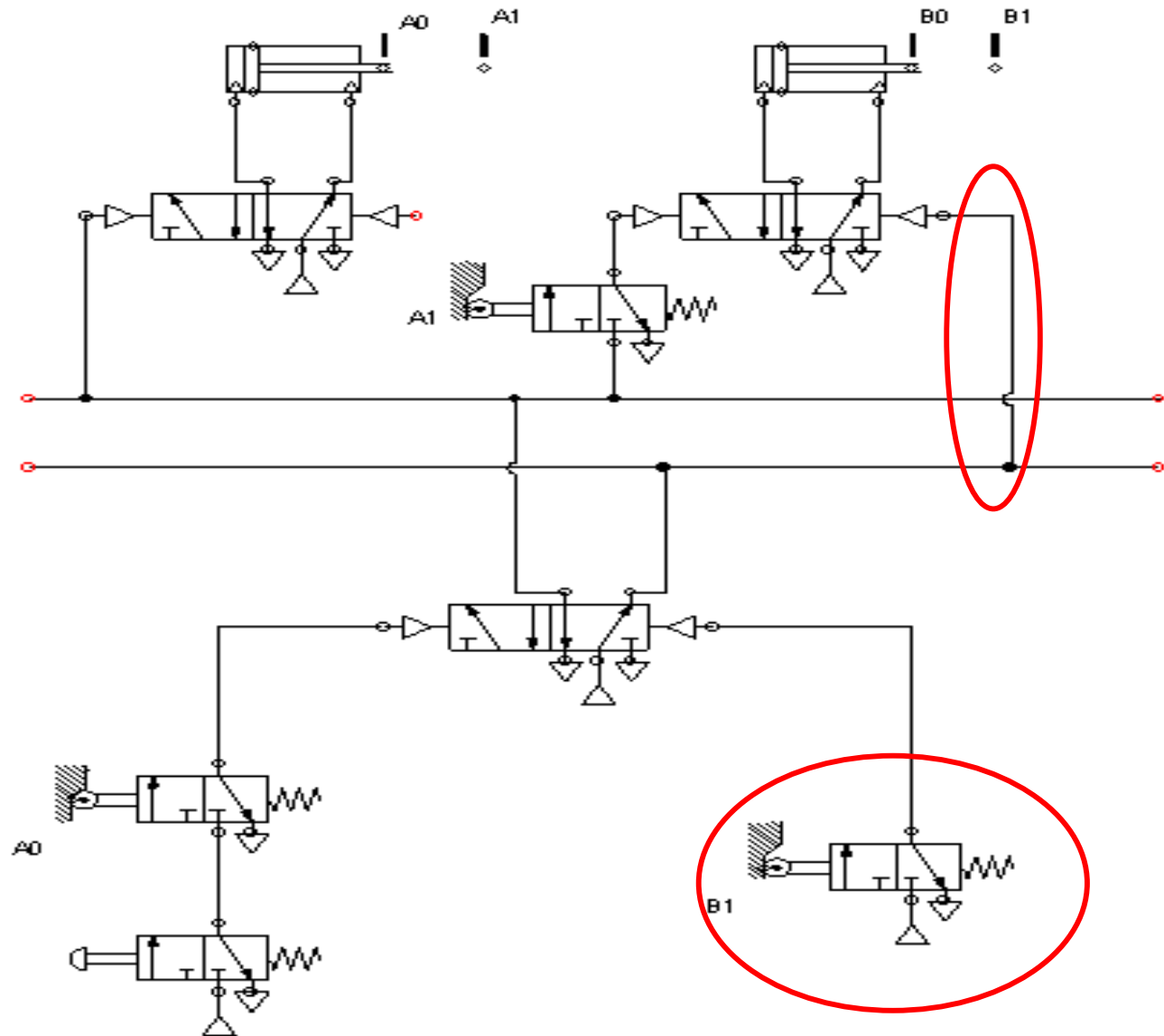
# Control of Multiple Actuator

B+ → A1



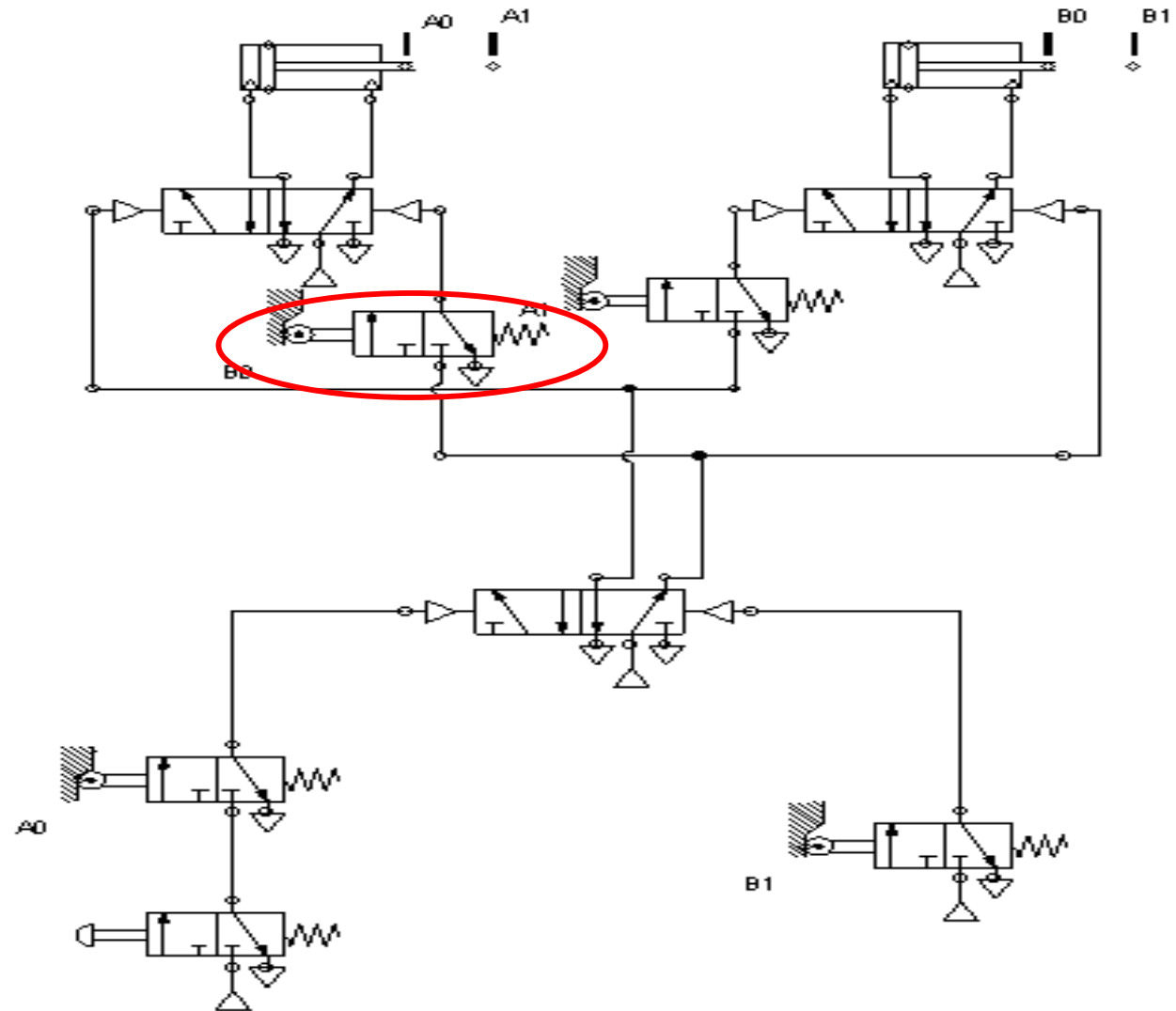
# Control of Multiple Actuator

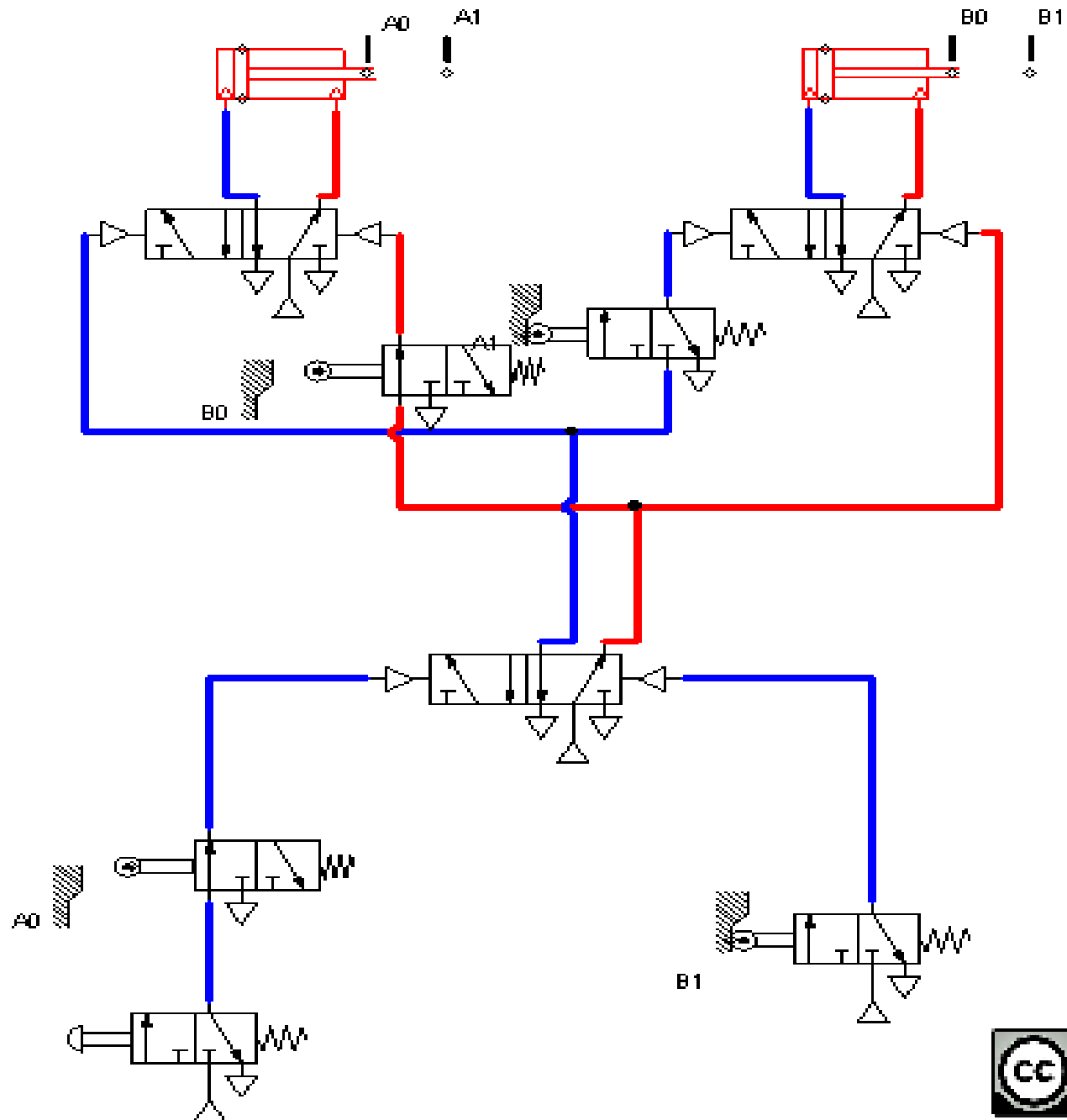
B- → B1



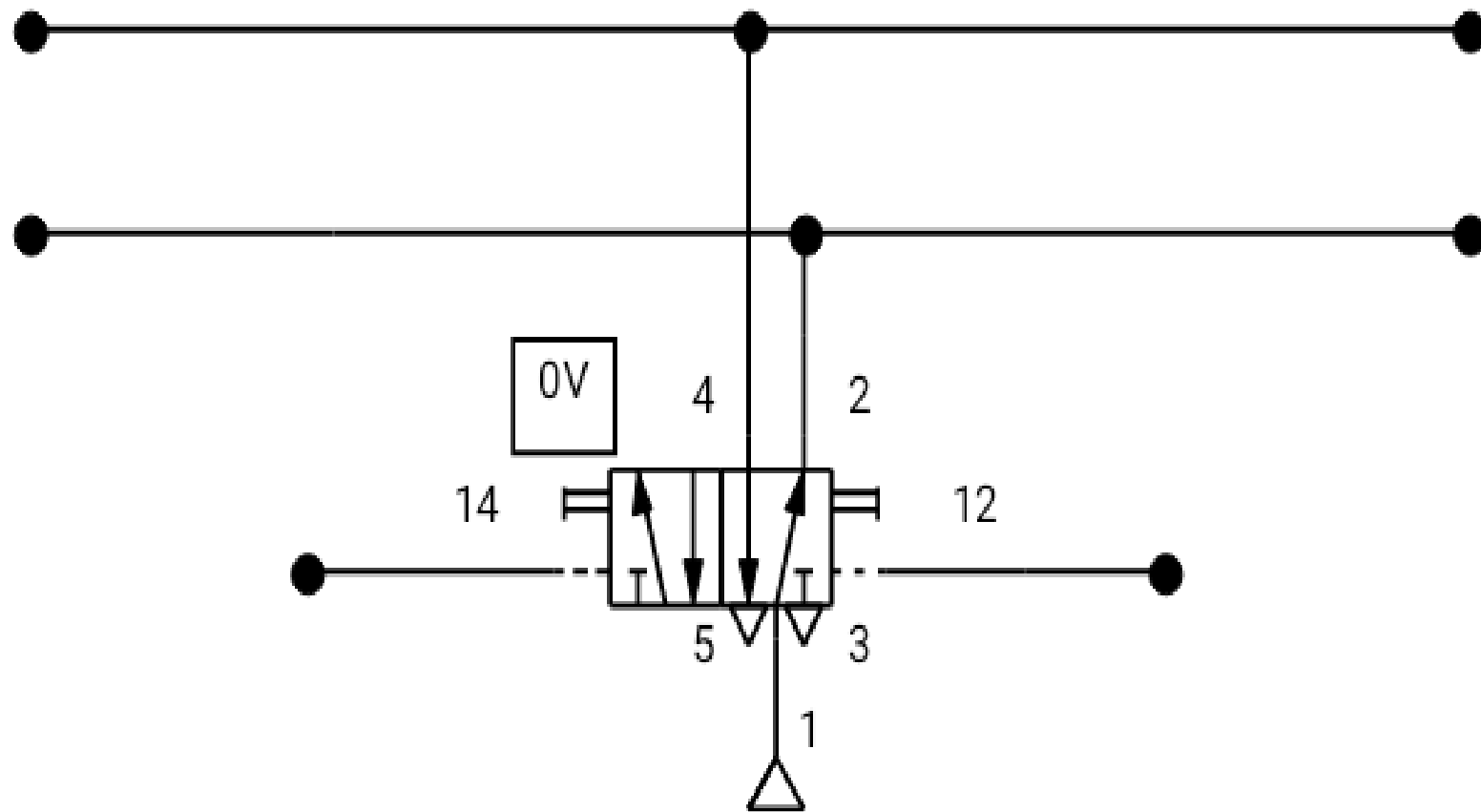
# Control of Multiple Actuator

A- → B0



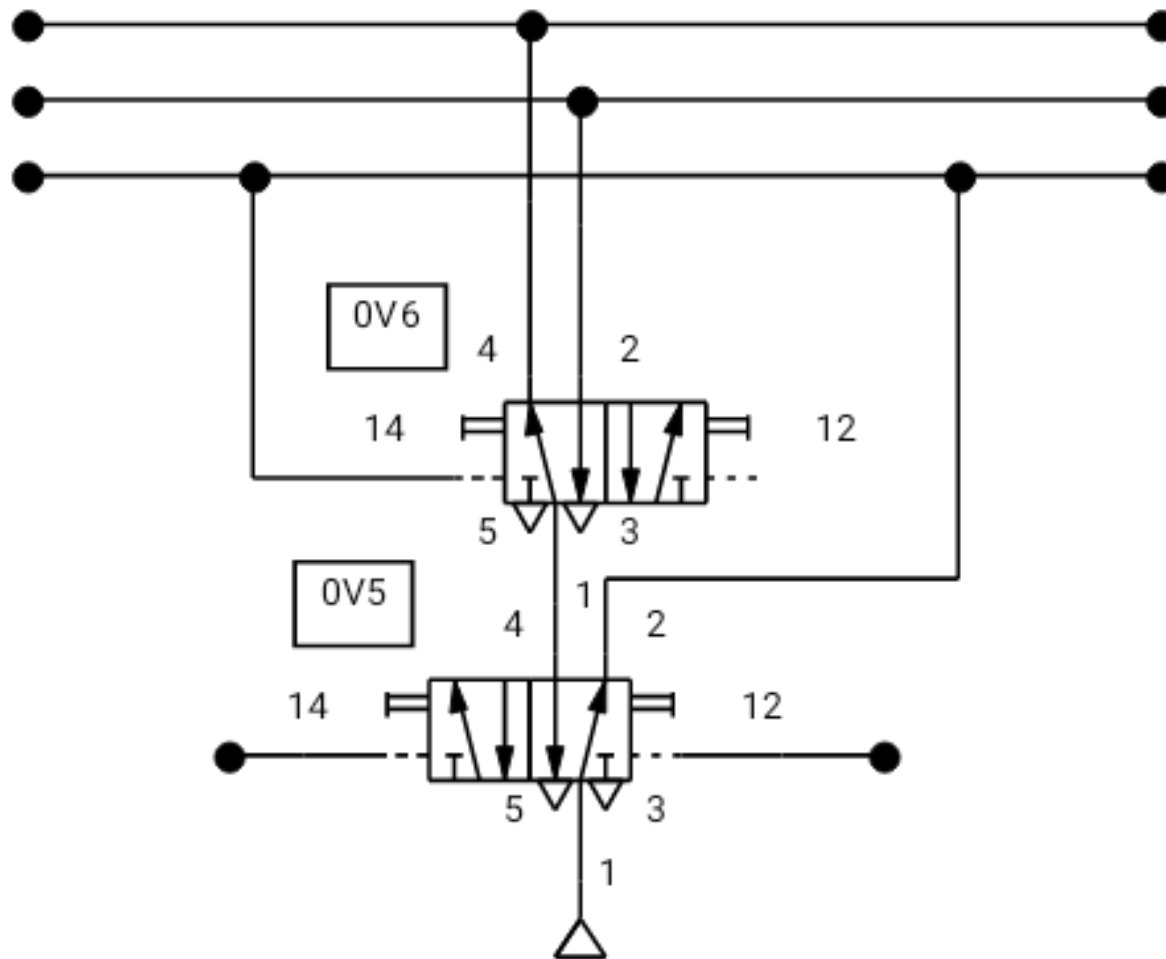


# Connection of single reversing valve

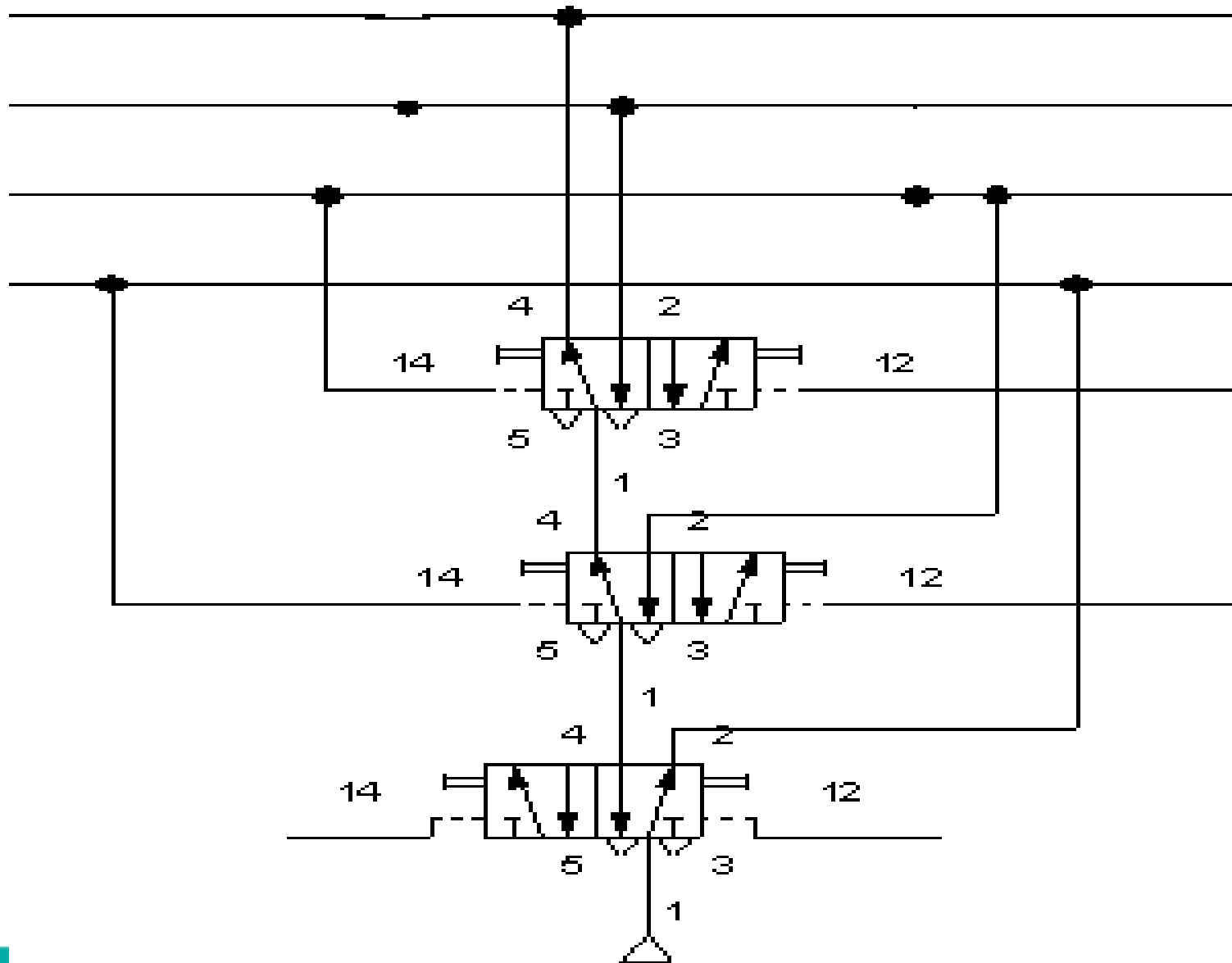




# Connection of double reversing valve



# Connection of triple reversing valve



# Summary

- In this lesson, we have learn how to design multi-actuator pneumatic circuit.