 Universiti Malaysia PAHANG <small>Engineering • Technology • Creativity</small>	COURSE: COMPUTER ARCHITECTURE & ORGANIZATION		MARK : /10	
	TOPIC: Introduction to Computer	CODE: BCN1043		
	ASSESSMENT: Quiz	NO: 1		Date:

Matric No : _____

Section : _____

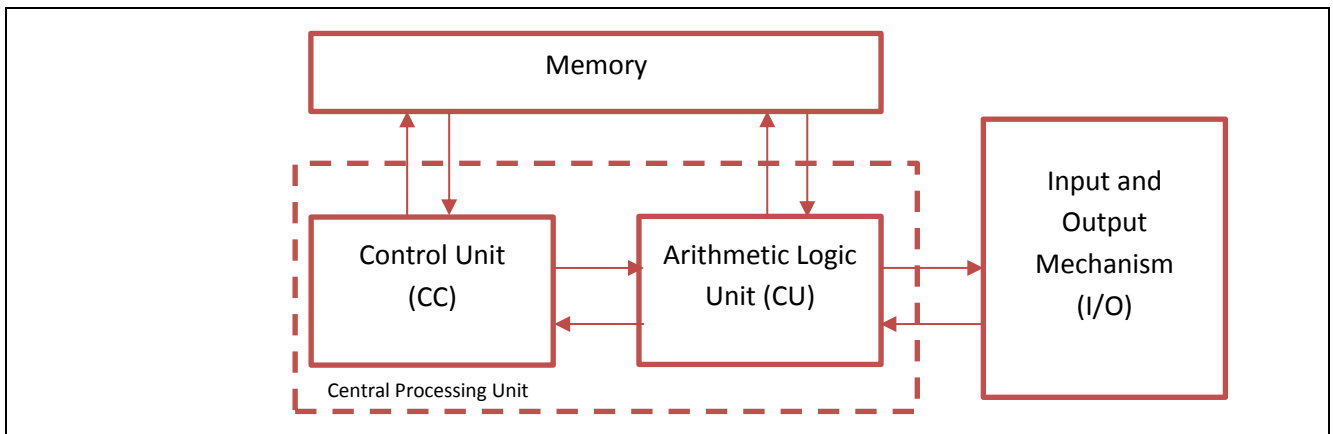
Answer all questions in the box.

1. Identify the **FOUR (4)** Basic Functions of a computer. [2 marks]

Data Processing	Data Movement
Data Storage	Control Mechanism

2. Illustrate the model of Von Neumann Machine. Label your drawings.

[4 marks]



3. Name **FOUR (4)** top level structural components of a computer and describe the functions. [2 marks]

i) Memory	Stores Data
ii) Input and Output	moves data between the computer and its external environment
iii) System Bus	mechanism that provides for communication among CPU, main memory and I/O.
iv) CPU	Control the operation of the computer and performs its data processing functions

4. In your own words, differentiate 'computer architecture' and 'computer organisation' [2 marks]

The architecture does not change with different model but its organization changes with changing technology