

BTU1113 PHYSICS: SIMPLE EXERCISE 2

Electrics

1. The following questions are based on a circuit diagram shown in Figure 1.

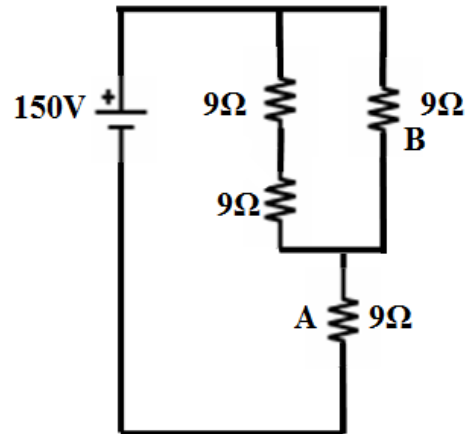


Figure 1

- Find the equivalent resistance of the above circuit.
- How much current is drawn by the circuit?
- How much power is drawn by the overall circuit?
- How much power is drawn by the resistor labeled as A in the above circuit?
- For the resistor labeled B, draw a circuit diagram that includes a voltmeter and ammeter to measure voltage and current.