

DIGITAL SIGNAL PROCESSING

CHAPTER 8: IIR Filter Design

QUIZ 1 (10 Marks)

Name: _____

Date: _____

The transfer function of the system is realized by the structure shown in Figure 1.

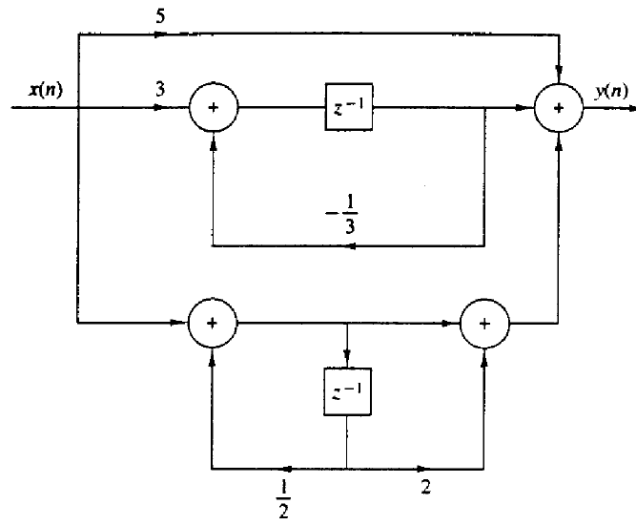


Figure 2

- (i) Determine the transfer function, $H(z)$ of the system.
- (ii) Draw the **Cascade** form structure of the system.
- (iii) Convert the structure into **Canonic** form.