

Faculty of Electrical & Electronics Engineering
BEE1133 Circuit Analysis I

Name: _____

ID: _____

Section: _____

Date: _____

(Failed to complete all the particulars above will be penalized 2 marks)

QUIZ 3

Mapping CO, PO: CO1,PO1

CO2: Analyze DC circuit problems using circuit theorem, nodal analysis and mesh, and formulate the natural and forced responses of first order circuit.

PO1: Acquire and apply knowledge of sciences and electrical & electronics engineering fundamentals.

For the circuit if Figure 1,

- Find the V_o using Thevenin's Theorem.
- Draw the Thevenin equivalent circuit.
- From (b), draw the Norton equivalent circuit.
- Find the maximum power transfer that can be delivered to 1Ω resistor.

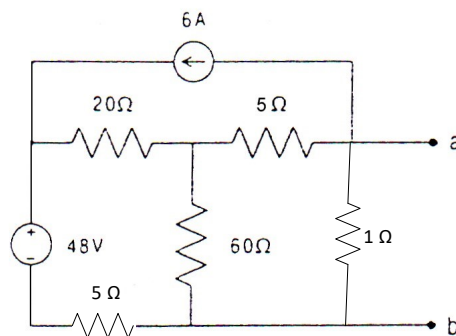


Figure 1

[10 marks]