

For updated version, please click on
<http://ocw.ump.edu.my>

Basic Programmable Logic Controller PLC System Wiring and Connection

by
Norasyikin Fadilah
Faculty of Electrical & Electronics Engineering
norasyikin@ump.edu.my



Wiring PLC by
Norasyikin Fadilah

Learning Outcomes

Identify the wiring of power supply unit, safety protection devices and I/O units.

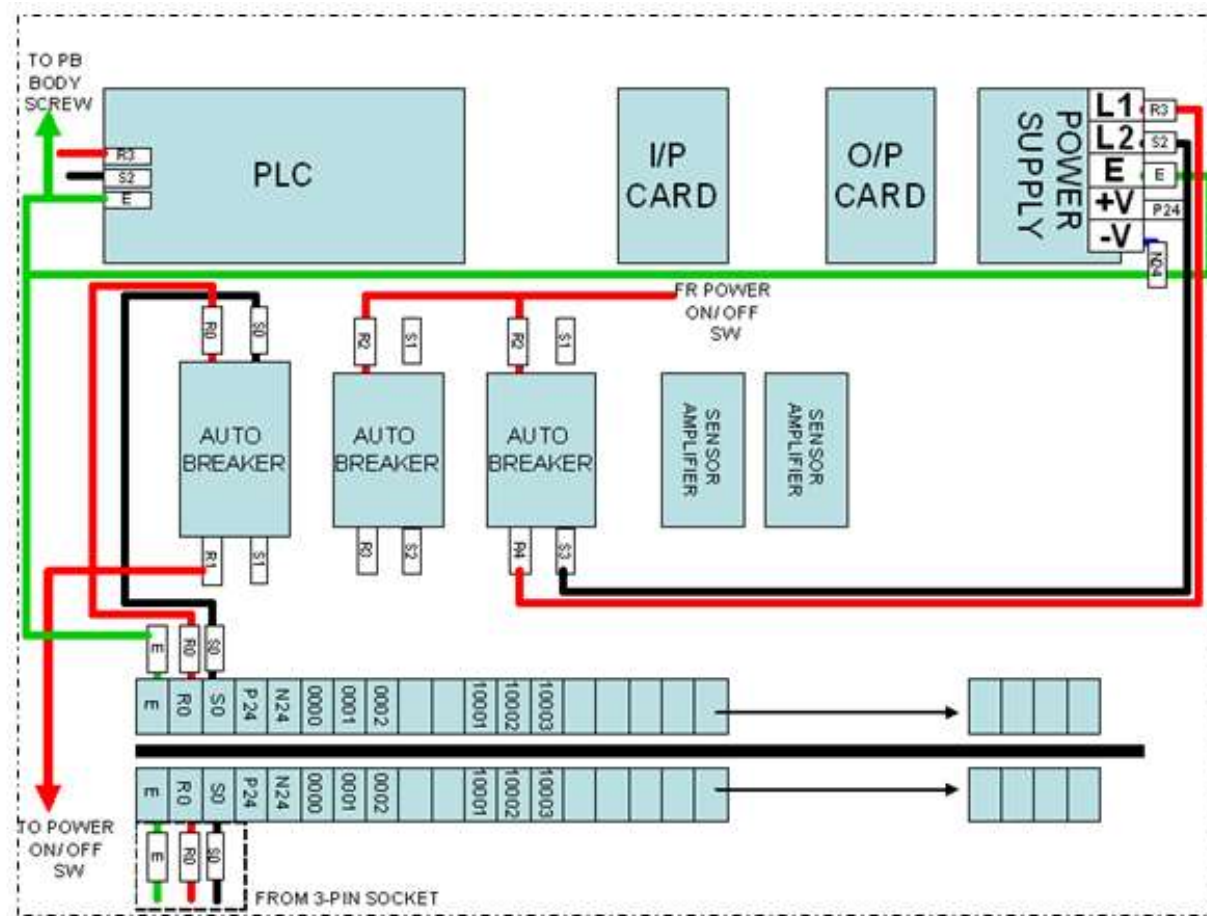
Draw the wiring connections of I/O devices and modules.

Understand the I/O connections and addressing.



Wiring PLC by
Norasyikin Fadilah

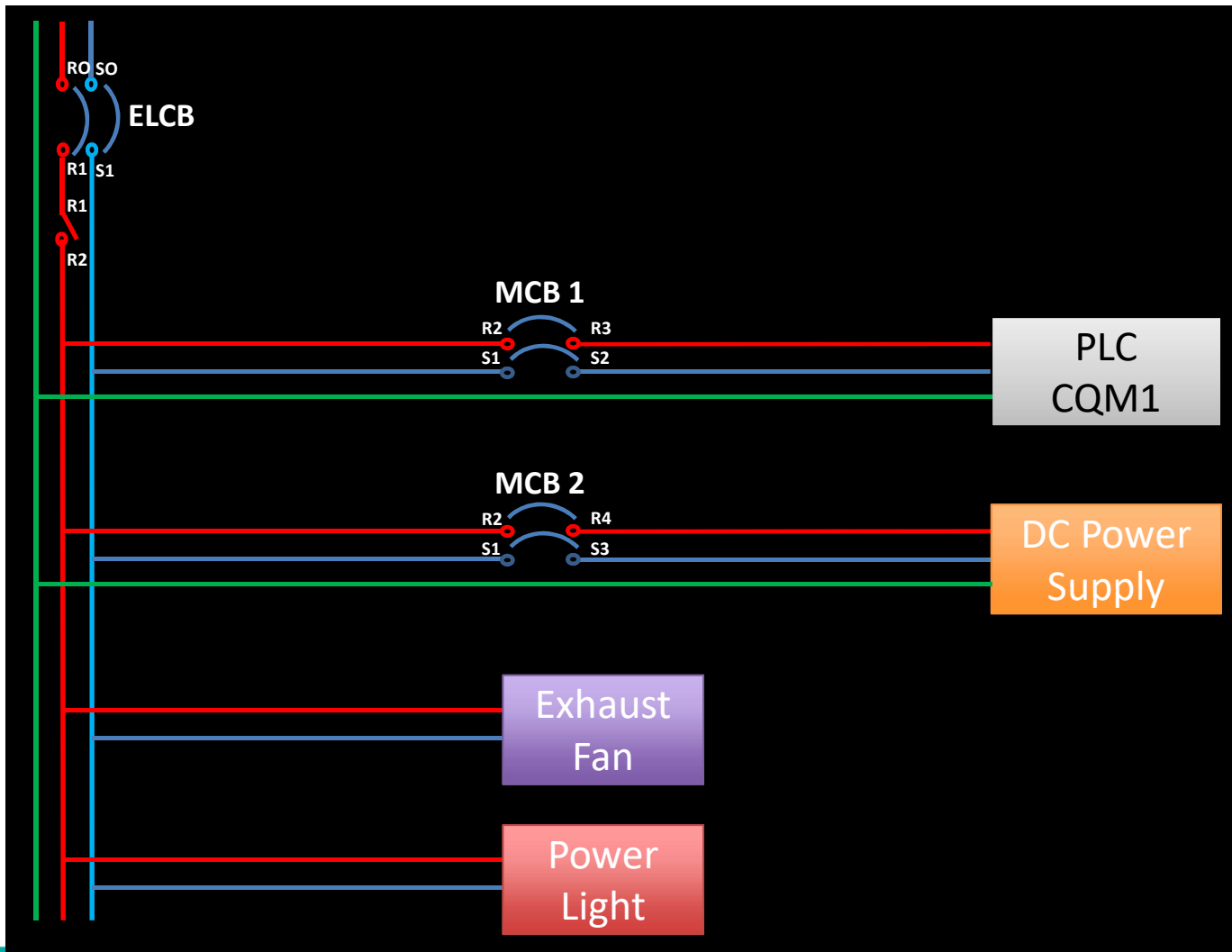
PLC Wiring Diagram



/iring PLC by
orasyikin Fadilah

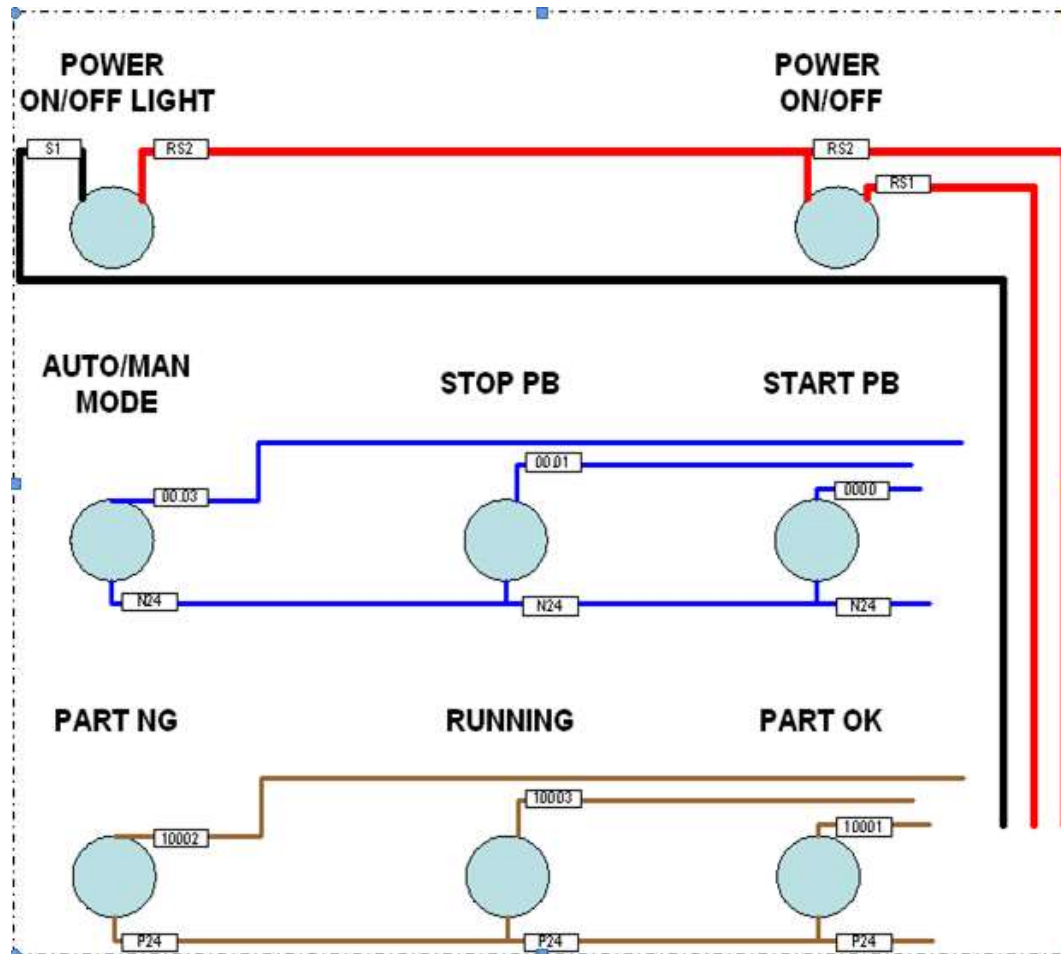
BY NC SA

Wiring of Protection Devices



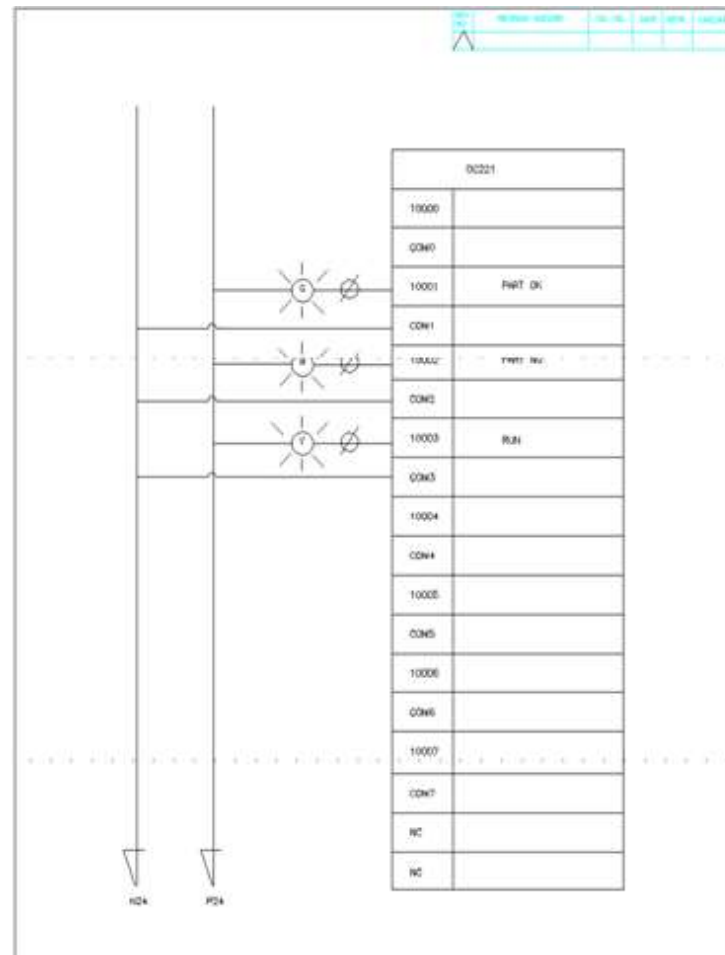
Wiring PLC by
Norasyikin Fadilah

I/O Devices



Wiring PLC by
Norasyikin Fadilah

Output Connection



Wiring PLC by
Norasyikin Fadilah

For updated version, please click on
<http://ocw.ump.edu.my>

Author Information

Norasyikin Fadilah
Lecturer, FKEE Universiti Malaysia Pahang
norasyikin@ump.edu.my

Profile:

[Google Scholar](#)
[Scopus](#)



Wiring PLC by
Norasyikin Fadilah