

COMPUTER AIDED ENGINEERING DESIGN (BFF2612)

QUIZ 1

by

Dr. Mohd Nizar Mhd Razali

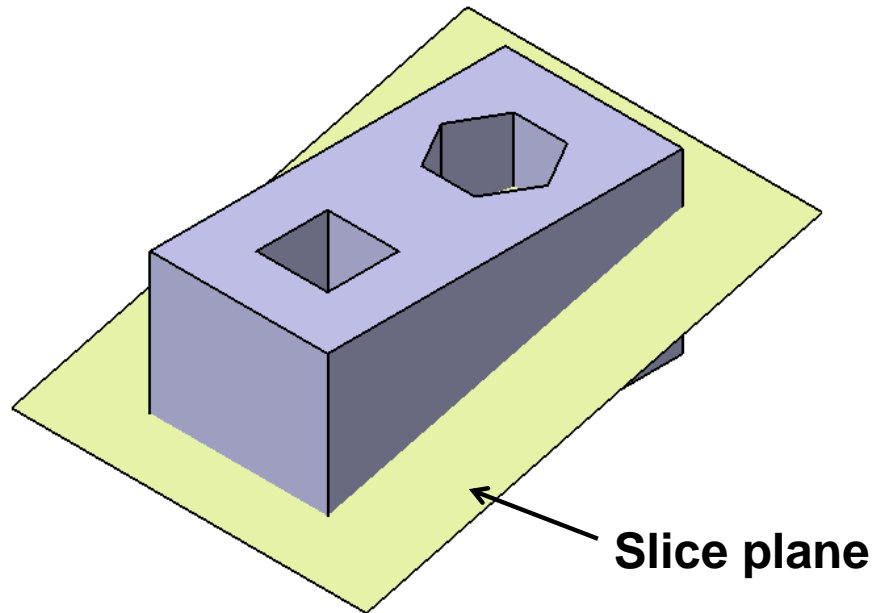
Faculty of Manufacturing Engineering
mnizar@ump.edu.my



Computer Aided Engineering
Design: Dr Nizar

Question 1..

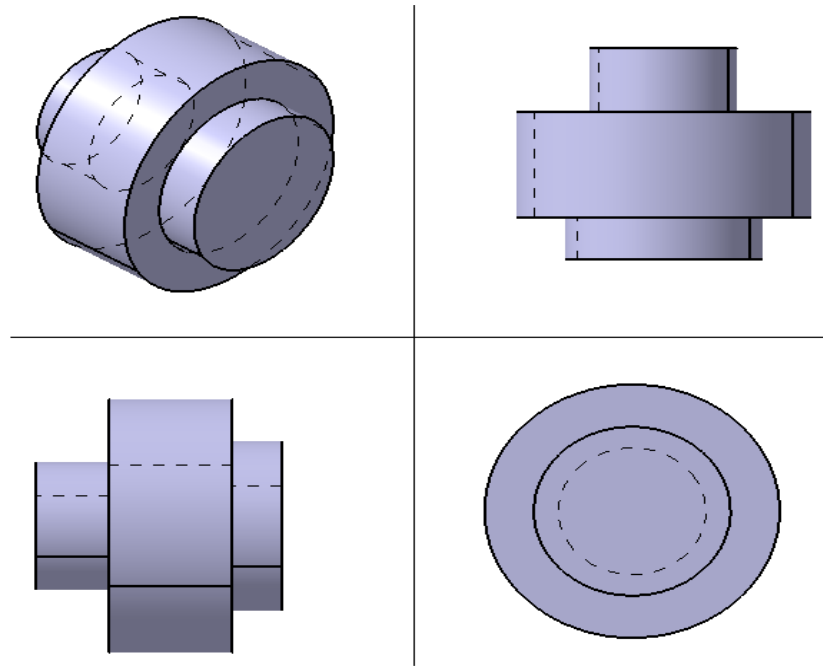
If a 3D shape is sliced as shown in the Figure 1 below. Sketch the cross section of the 3D shape on the slice plane according to WIREFRAME, SURFACE and SOLID design.



Question 2..

Describe steps in making the solid part shown in Figure 2 below.

- Using Extrude (Pad in CATIA).
- Using Revolution (Shaft in CATIA).



Computer Aided Engineering
Design: Dr Nizar

COMPUTER AIDED ENGINEERING DESIGN (BFF2612)

Dr. Nizar



Computer Aided Engineering
Design: Dr Nizar