

COMPUTER AIDED ENGINEERING DESIGN (BFF2612)

QUIZ 2

by

Dr. Mohd Nizar Mhd Razali

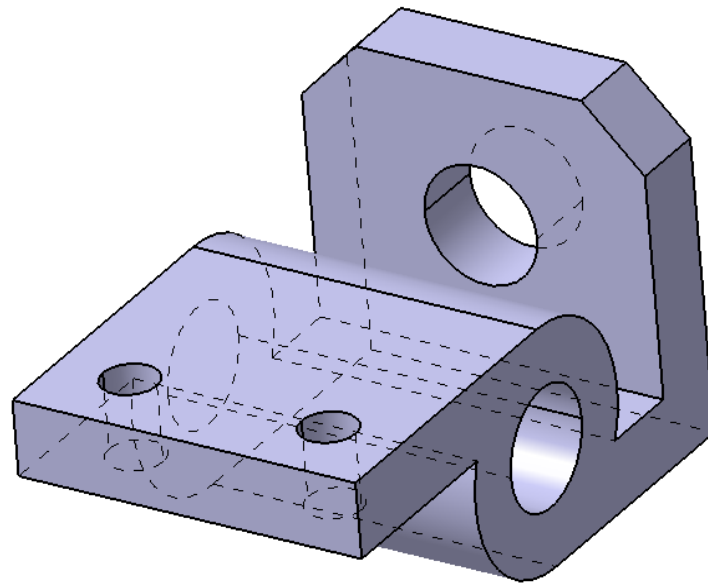
Faculty of Manufacturing Engineering
mnizar@ump.edu.my



Computer Aided Engineering
Design: Dr Nizar

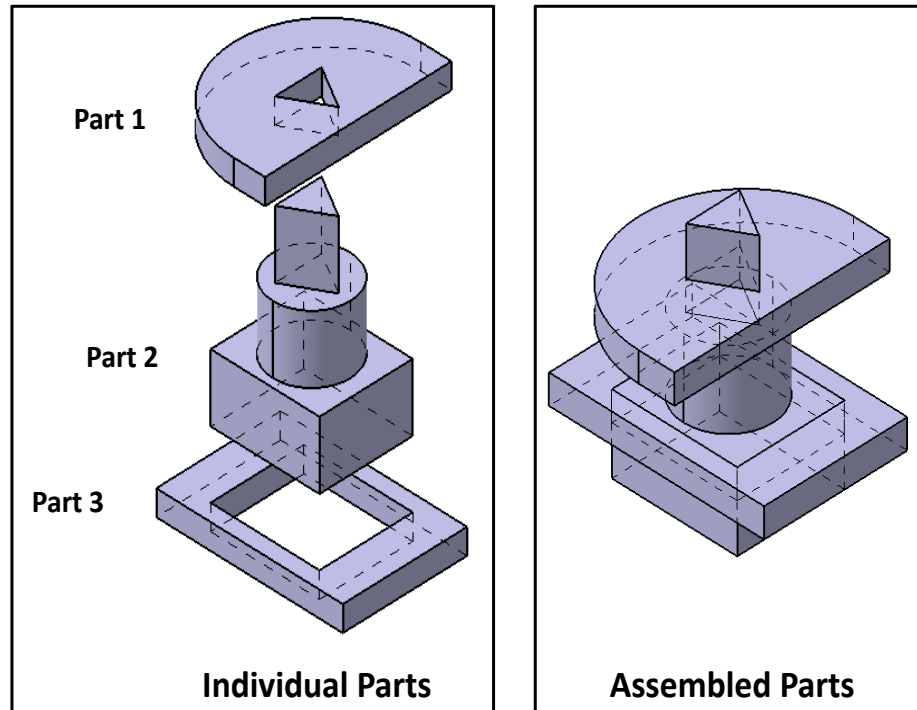
Question 1..

Describe steps utilized by sketching approach (CATIA approach) in constructing the solid geometric model of the Figure 1 below. Explain with the help of drawing of each step.



Question 2..

Locating and orienting parts in their assembly is achieved by specifying mating conditions among them. Describe the mating condition (constraints) required for the three individual parts 1, 2 and 3 to become assembled parts as shown in the Figure 2 below.



Computer Aided Engineering
Design: Dr Nizar

COMPUTER AIDED ENGINEERING DESIGN (BFF2612)

Dr. Nizar



Computer Aided Engineering
Design: Dr Nizar