

COMPUTER AIDED ENGINEERING DESIGN (BFF2612)

ASSIGNMENT 3

by

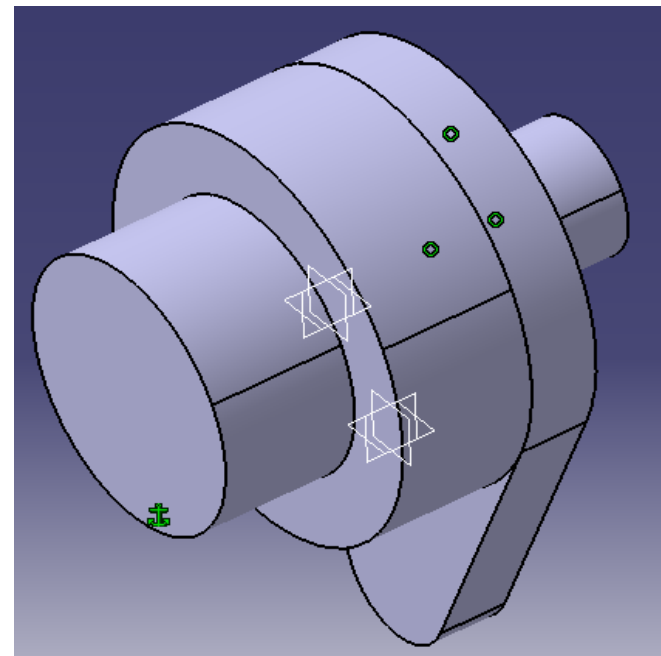
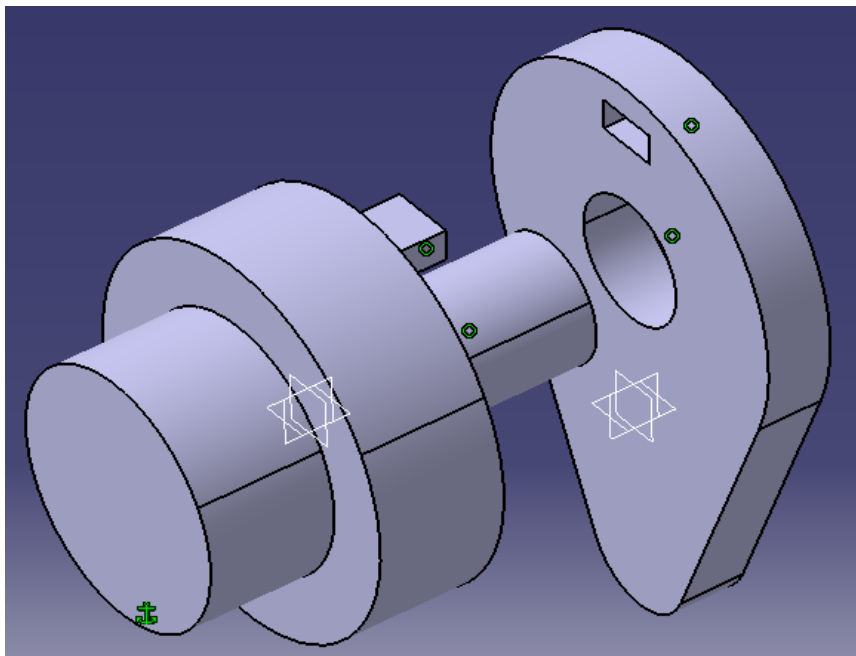
Dr. Mohd Nizar Mhd Razali

Faculty of Manufacturing Engineering
mnizar@ump.edu.my

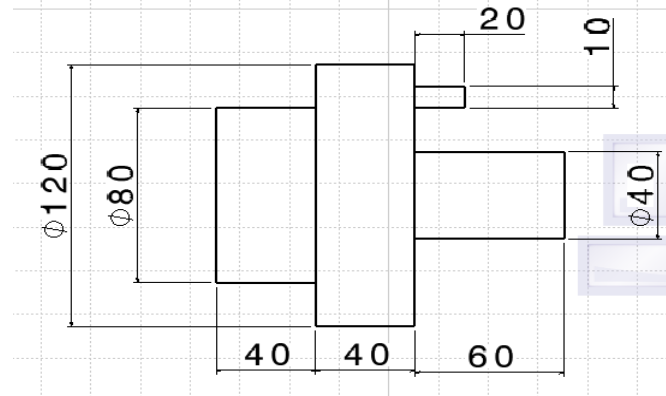
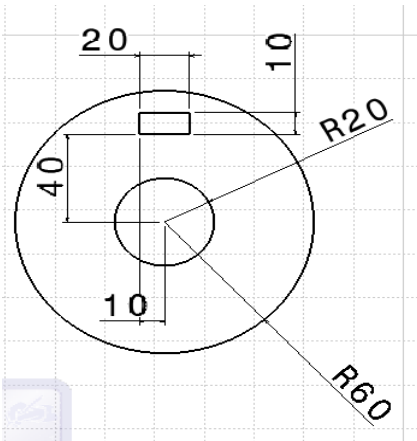


Computer Aided Engineering
Design: Dr Nizar

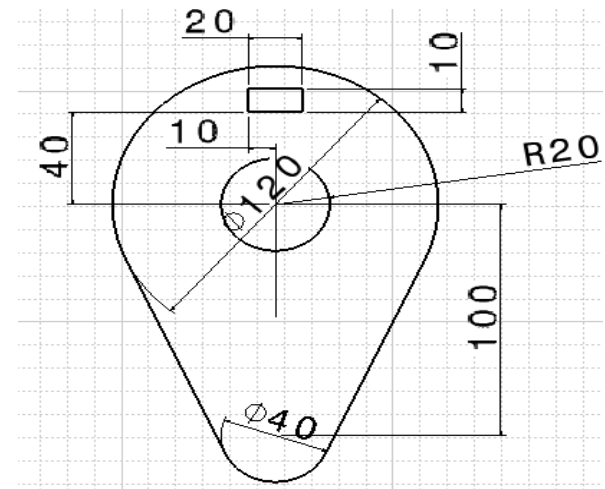
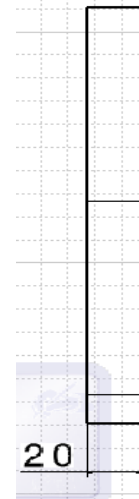
Example 1



Example 1

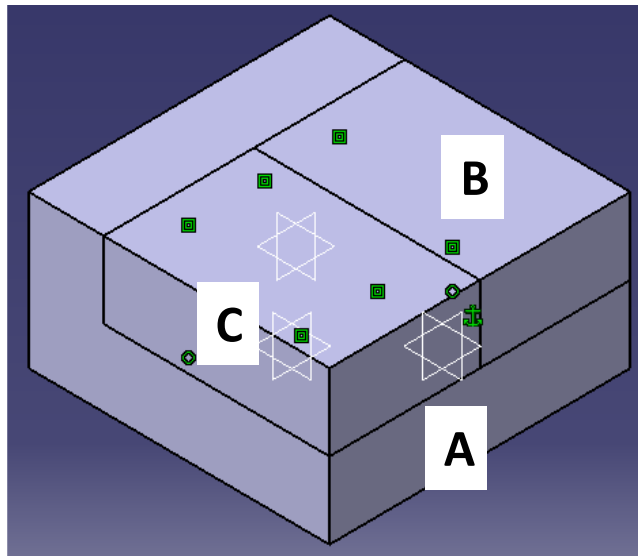


Part 1

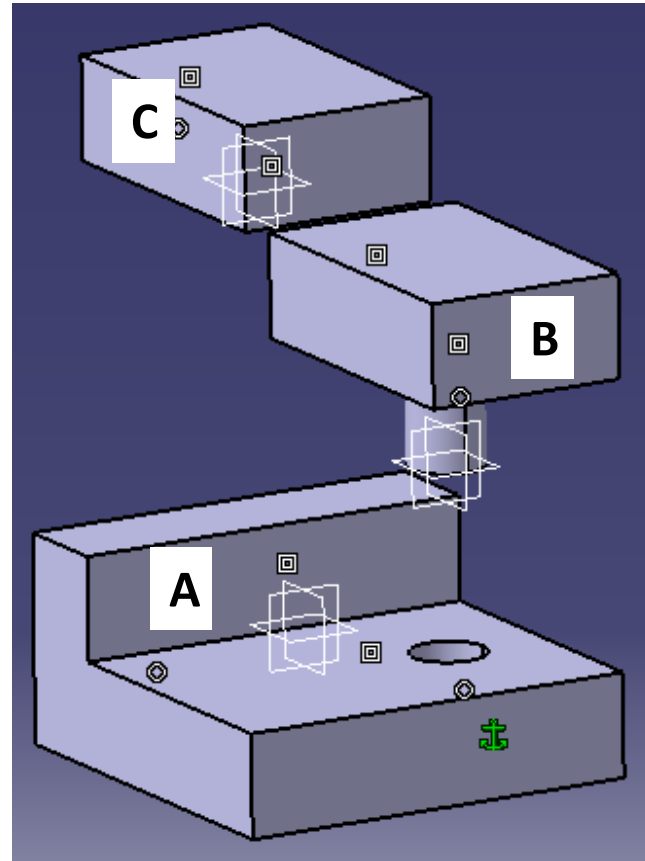


Part 2

Example 2



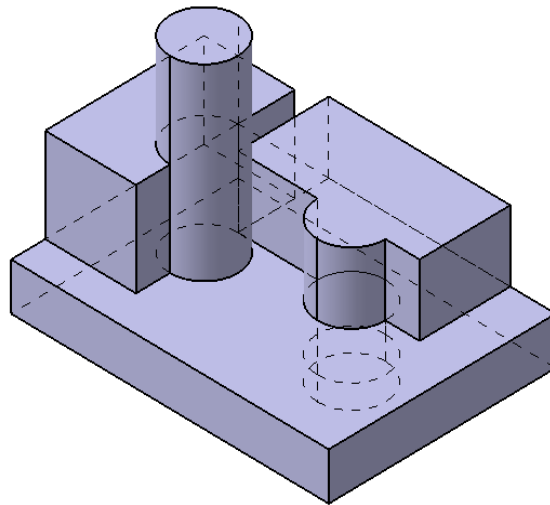
Assembled Parts



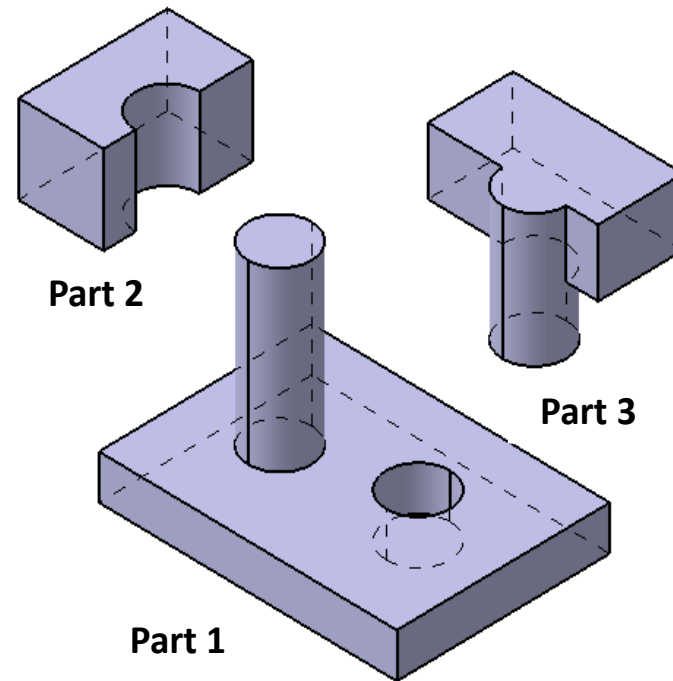
Individual Parts



Example 3



Assembled Parts



Individual Parts

COMPUTER AIDED ENGINEERING DESIGN (BFF2612)

Dr. Nizar



Computer Aided Engineering
Design: Dr Nizar