

COMPUTER AIDED ENGINEERING DESIGN (BFF2612)

LAB. EXERCISE 1

by

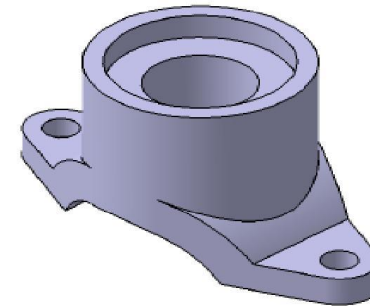
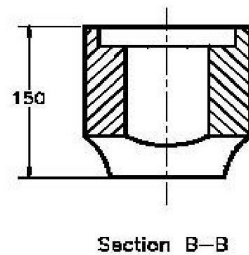
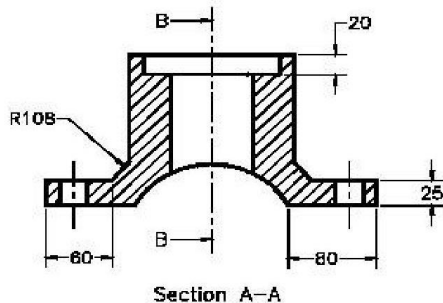
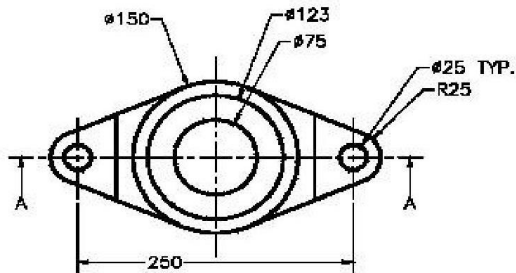
Dr. Mohd Nizar Mhd Razali

Faculty of Manufacturing Engineering
mnizar@ump.edu.my



Computer Aided Engineering
Design: Dr Nizar

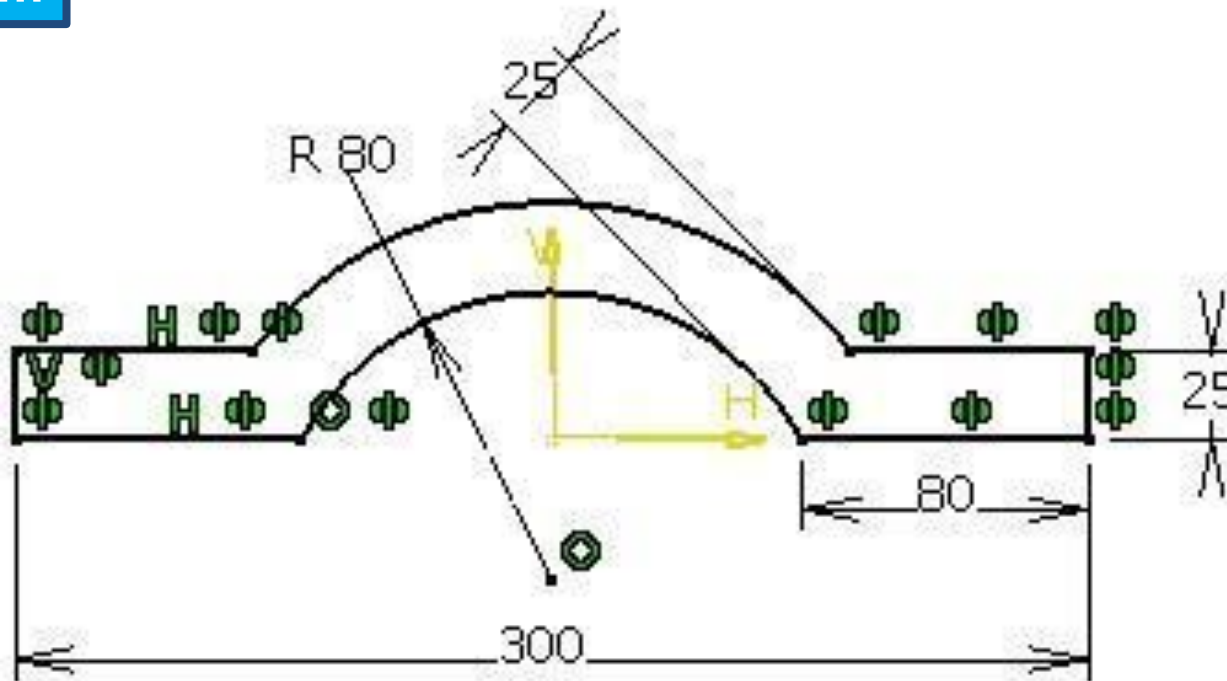
LAB. EXERCISE 1



STEP 1

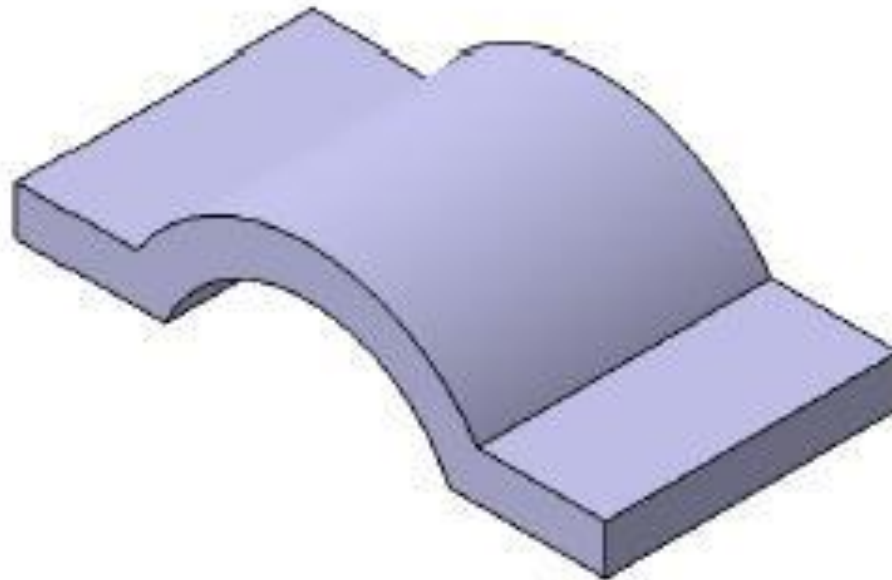
Draw the sketch of the base feature on the YZ plane, as shown in Figure below.

Unit is in mm



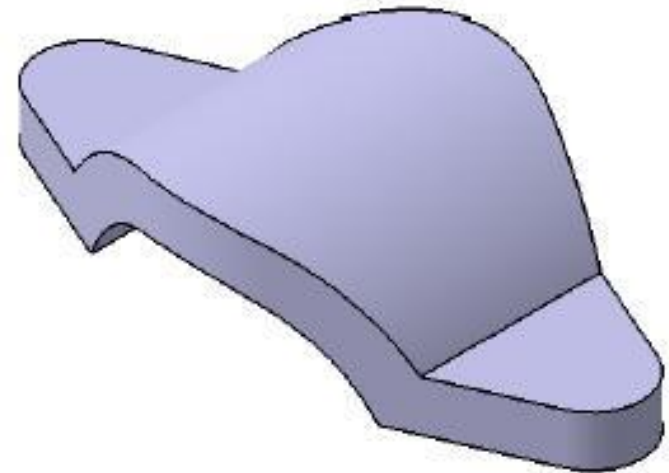
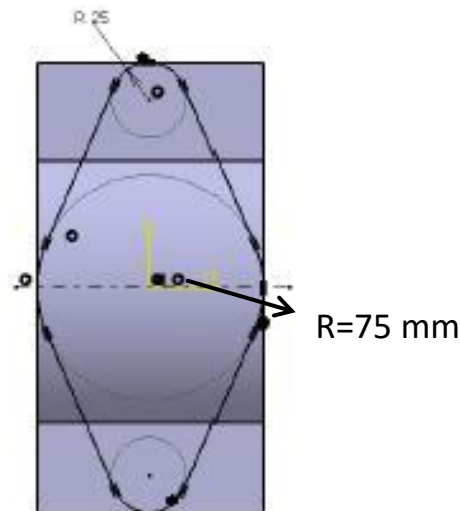
STEP 2

Extrude the sketch to two directions (75 mm each) as shown in Figure below.



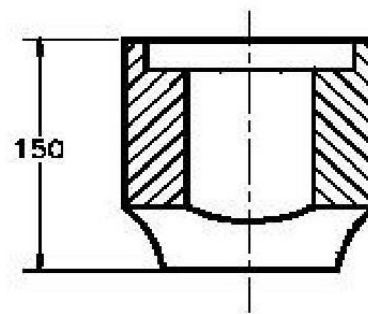
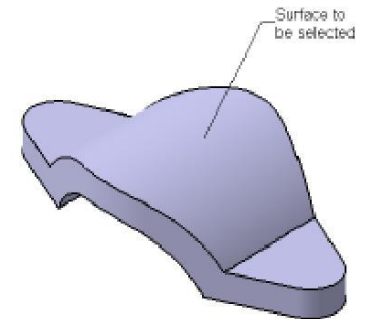
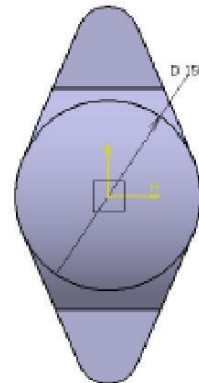
STEP 3

- Create the second feature, which is a Pocket feature, as shown in both Figures below.
- Use tangency between line and arcs when using mirror.

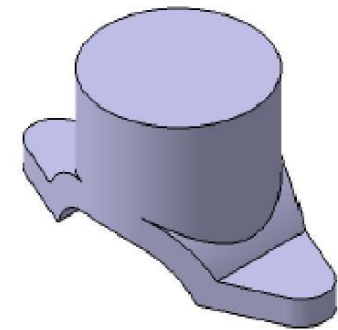


STEP 4

- Create the third feature by extruding a sketch, drawn on a plane at an offset from the XY plane (41.27 mm), as shown in Figures.
- Use pad with height of 125 mm to top and use up to next to bottom direction.

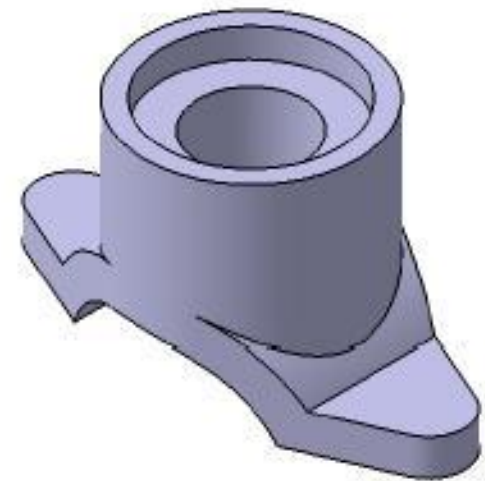
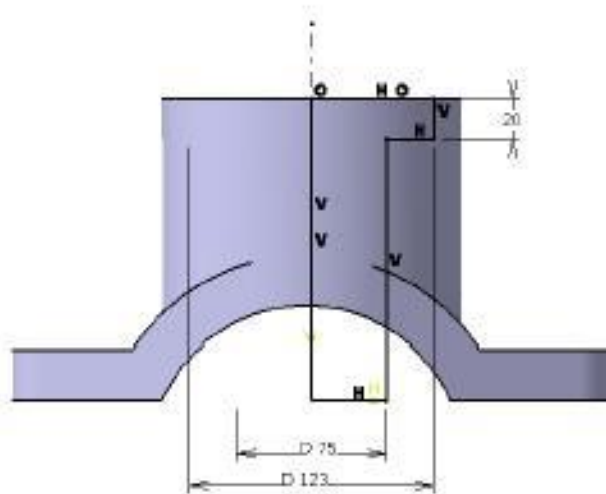


Section B-B



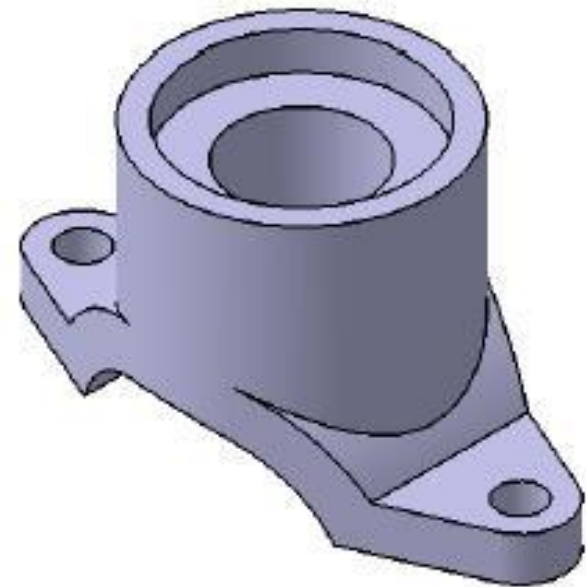
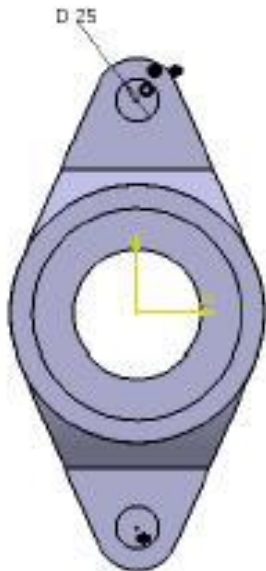
STEP 5

Create the fourth feature which is a Groove feature, as shown in the following Figures.



STEP 6

Create the last feature of the model which is the Pocket feature, as shown in the following Figures.



COMPUTER AIDED ENGINEERING DESIGN (BFF2612)

Dr. Nizar



Computer Aided Engineering
Design: Dr Nizar